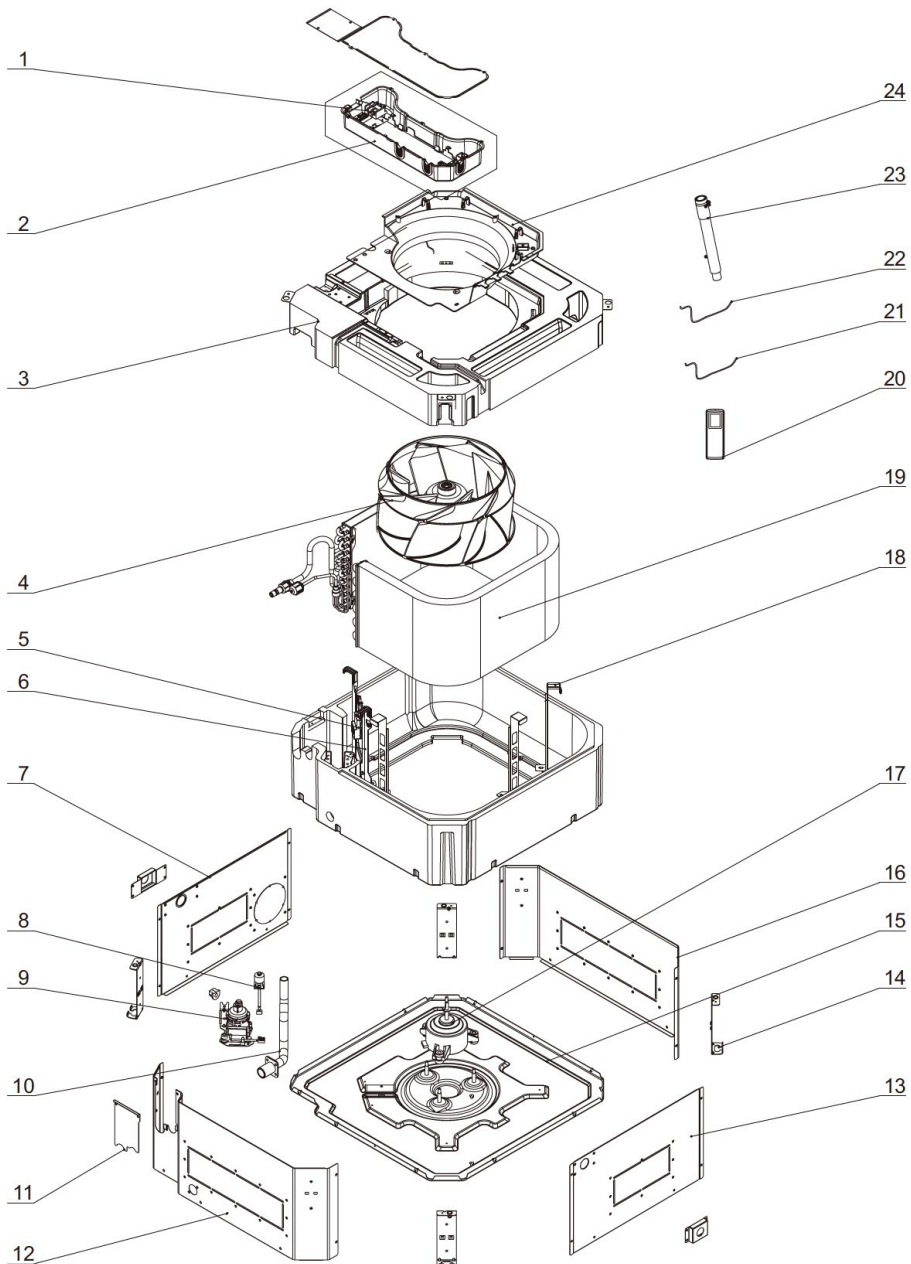


# EXPLODED VIEW & PARTS LIST



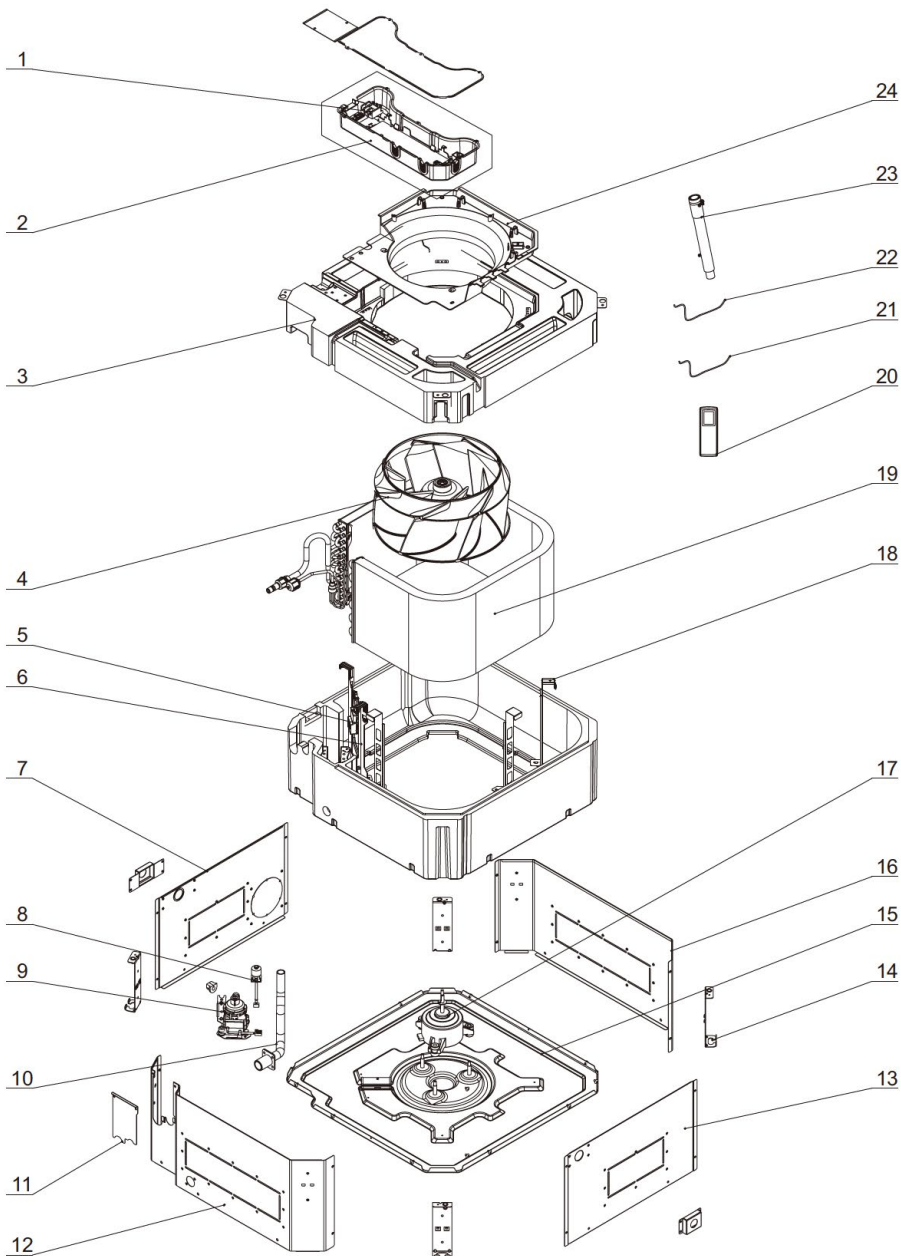
**PTAC DIRECT SALES, INC.**  
**185 S. KIMBALL AVE., SUITE 130**  
**SOUTHLAKE, TX 76092**  
**877.454.7822**  
[www.PTACdirect.com](http://www.PTACdirect.com)



CAS09HP230V1R32AH

No.	Part Description	Qty	Part No.
NS	Shell Assy	1	011633060005
15	Seat Board Sub-Assy	1	<a href="#">017080060023</a>
12	Side Plate	1	<a href="#">012010060176</a>
16	Side Plate	1	<a href="#">012010060175</a>
13	Side Plate	1	<a href="#">01201006017702</a>
7	Side Plate	1	<a href="#">01201006017703</a>
17	Brushless DC Motor B-FN30C-ZL	1	150104060012
19	Evaporator Assy	1	<a href="#">011001061935</a>
NS	Evaporator Assy	1	<a href="#">011001061936</a>
NS	Current Divider	1	<a href="#">035032060048</a>
5	Gas Sensor (R32)	1	<a href="#">34002406001602</a>
18	Support	1	<a href="#">012060061048</a>
10	Drain Pipe	1	200070060005
8	Liquid Level Switch	1	<a href="#">430024000005</a>
9	Water Pump PSB-0.024/1.2-A	1	<a href="#">4313800005802</a>
4	Centifugal Fan	1	103003060008
NS	Block gasket	1	<a href="#">70413008</a>
14	Mounting Rack Sub-Assy	4	017044060011
3	Water Tray Assy	1	<a href="#">000069060065</a>
24	Flow Guide Loop	1	<a href="#">200150060003</a>
2	Electric Box Assy	1	<a href="#">100002082767</a>
NS	Main Board Z4M551WJ	1	<a href="#">300002064306</a>
NS	Jumper (CAP 2.5mm BLUE)	1	<a href="#">4202021908</a>
1	Terminal Board	1	<a href="#">422000060015</a>
11	Sealplate	1	<a href="#">012034060119</a>
22	Room Sensor 15KS-XH-2P-K3	1	<a href="#">39000191</a>
21	Temperature Sensor 20KT-EH-2P-K3	1	<a href="#">390001921</a>
23	Drain Hose Sub-Assy	1	<a href="#">007008000001</a>
NS	Drain Hose	1	05232046
20	Remote Controller YBE1FB5F	1	<a href="#">305001060180</a>

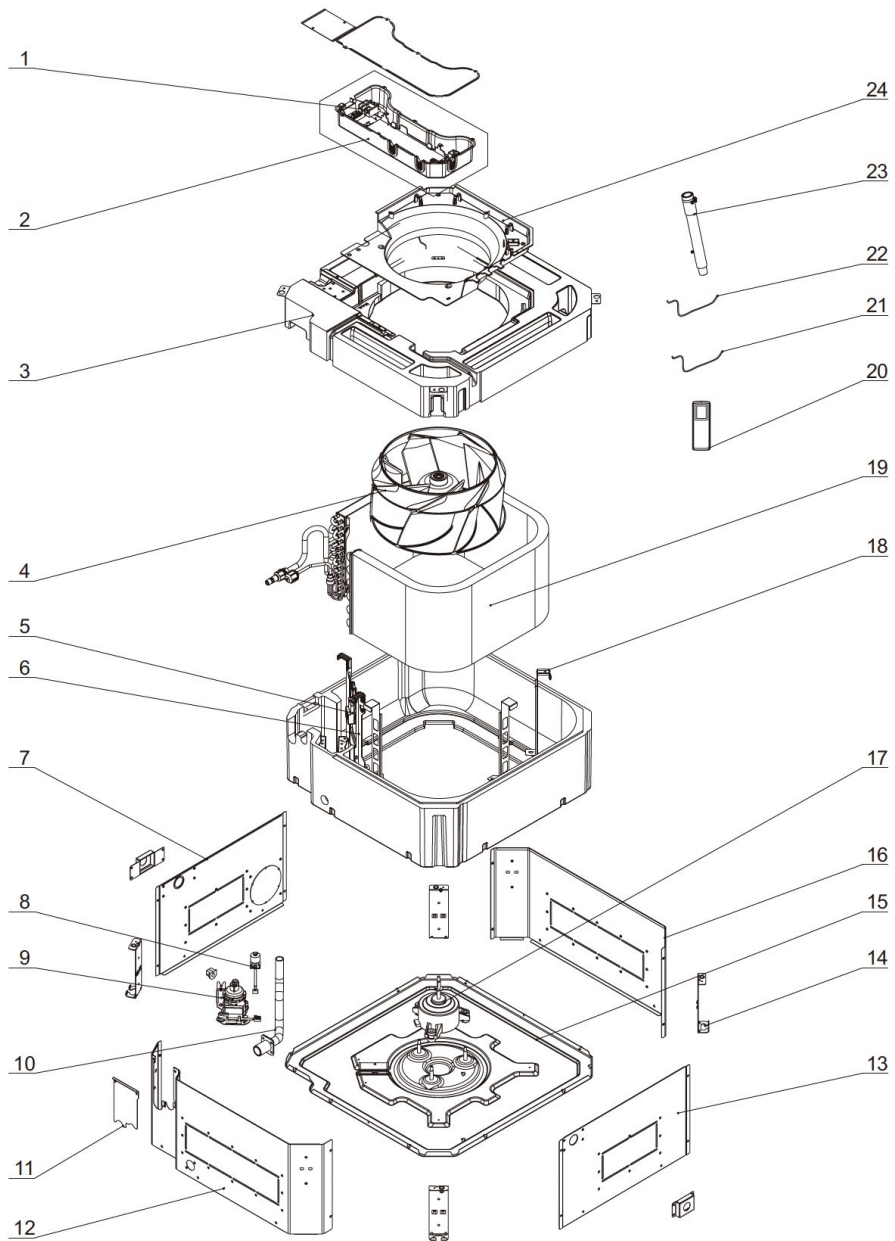
# EXPLODED VIEW & PARTS LIST



## CAS12HP230V1R32AH

No.	Part Description	Qty	Part No.
NS	Shell Assy	1	011633060005
15	Seat Board Sub-Assy	1	<a href="#">017080060023</a>
12	Side Plate	1	<a href="#">012010060176</a>
16	Side Plate	1	<a href="#">012010060175</a>
13	Side Plate	1	<a href="#">01201006017702</a>
7	Side Plate	1	<a href="#">01201006017703</a>
17	Brushless DC Motor B-FN30C-ZL	1	150104060012
19	Evaporator Assy	1	<a href="#">011001061935</a>
NS	Evaporator Assy	1	<a href="#">011001061936</a>
NS	Current Divider	1	<a href="#">035032060048</a>
5	Gas Sensor (R32)	1	<a href="#">34002406001602</a>
18	Support	1	<a href="#">012060061048</a>
10	Drain Pipe	1	200070060005
8	Liquid Level Switch	1	<a href="#">430024000005</a>
9	Water Pump PSB-0.024/1.2-A	1	<a href="#">4313800005802</a>
4	Centifugal Fan	1	103003060008
NS	Block gasket	1	<a href="#">70413008</a>
14	Mounting Rack Sub-Assy	4	017044060011
3	Water Tray Assy	1	<a href="#">000069060065</a>
24	Flow Guide Loop	1	<a href="#">200150060003</a>
2	Electric Box Assy	1	<a href="#">100002082767</a>
NS	Main Board Z4M551WJ	1	<a href="#">300002064306</a>
NS	Jumper (CAP 2.5mm BLUE)	1	<a href="#">4202021908</a>
1	Terminal Board	1	<a href="#">422000060015</a>
11	Sealplate	1	<a href="#">012034060119</a>
22	Room Sensor 15KS-XH-2P-K3	1	<a href="#">39000191</a>
21	Temperature Sensor 20KT-EH-2P-K3	1	<a href="#">390001921</a>
23	Drain Hose Sub-Assy	1	<a href="#">007008000001</a>
NS	Drain Hose	1	05232046
20	Remote Controller YBE1FB5F	1	<a href="#">305001060180</a>

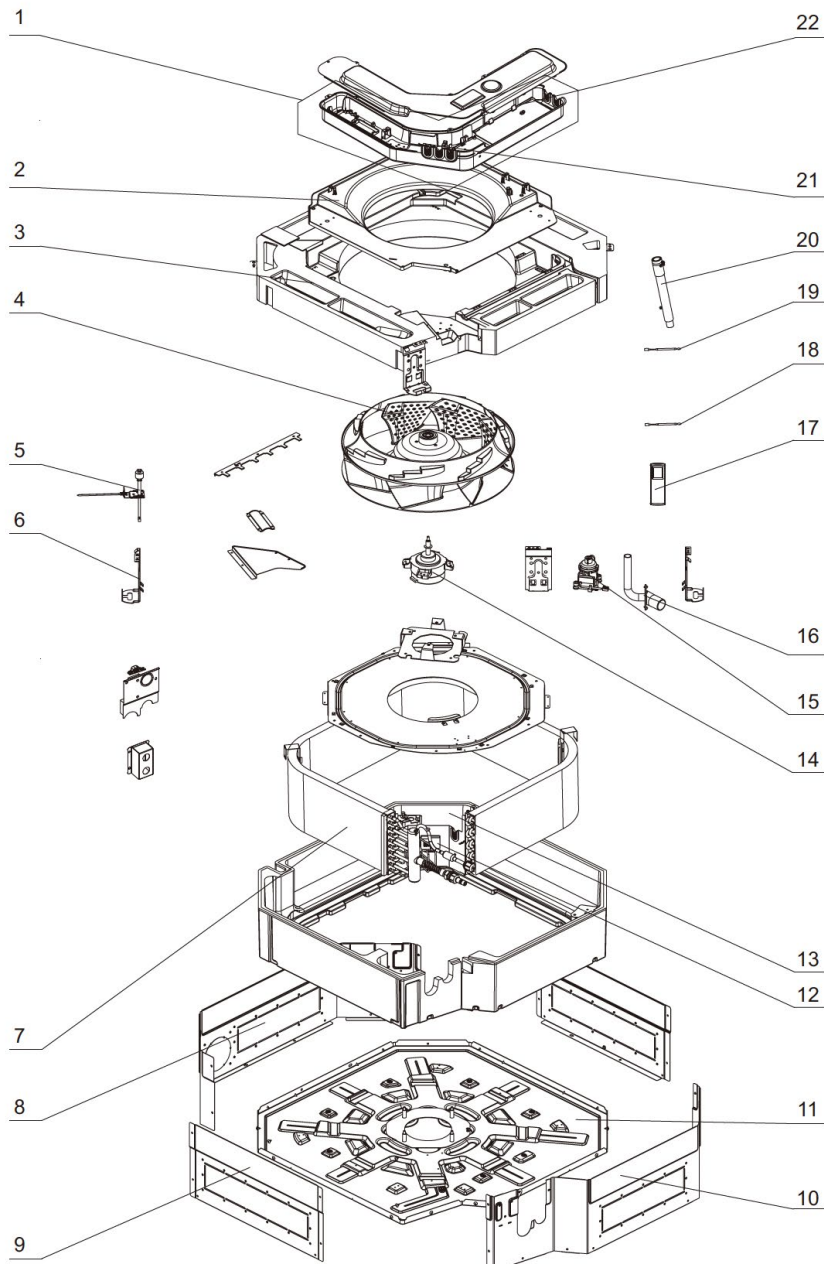
# EXPLODED VIEW & PARTS LIST



## CAS18HP230V1R32AH

No.	Part Description	Qty	Part No.
NS	Shell Assy	1	011633060005
15	Seat Board Sub-Assy	1	<a href="#">017080060023</a>
12	Side Plate	1	<a href="#">012010060176</a>
16	Side Plate	1	<a href="#">012010060175</a>
13	Side Plate	1	<a href="#">01201006017702</a>
7	Side Plate	1	<a href="#">01201006017703</a>
17	Brushless DC Motor B-FN30C-ZL	1	150104060012
19	Evaporator Assy	1	<a href="#">011001061937</a>
NS	Evaporator Assy	1	<a href="#">01100106193601</a>
NS	Current Divider	1	<a href="#">035032060048</a>
5	Gas Sensor (R32)	1	<a href="#">34002406001602</a>
18	Support	1	<a href="#">012060061048</a>
10	Drain Pipe	1	200070060005
8	Liquid Level Switch	1	<a href="#">430024000005</a>
9	Water Pump PSB-0.024/1.2-A	1	<a href="#">4313800005802</a>
4	Centifugal Fan	1	103003060008
NS	Block gasket	1	<a href="#">70413008</a>
14	Mounting Rack Sub-Assy	4	017044060011
3	Water Tray Assy	1	<a href="#">000069060065</a>
24	Flow Guide Loop	1	<a href="#">200150060003</a>
2	Electric Box Assy	1	<a href="#">100002082761</a>
NS	Main Board Z4M551WJ	1	<a href="#">300002064306</a>
NS	Jumper (CAP 2.5mm BLUE)	1	<a href="#">4202021908</a>
1	Terminal Board	1	<a href="#">422000060015</a>
11	Sealplate	1	<a href="#">012034060119</a>
22	Room Sensor 15KS-XH-2P-K3	1	<a href="#">39000191</a>
21	Temperature Sensor 20KT-EH-2P-K3	1	<a href="#">390001921</a>
23	Drain Hose Sub-Assy	1	<a href="#">007008000001</a>
NS	Drain Hose	1	05232046
20	Remote Controller YBE1FB5F	1	<a href="#">305001060180</a>

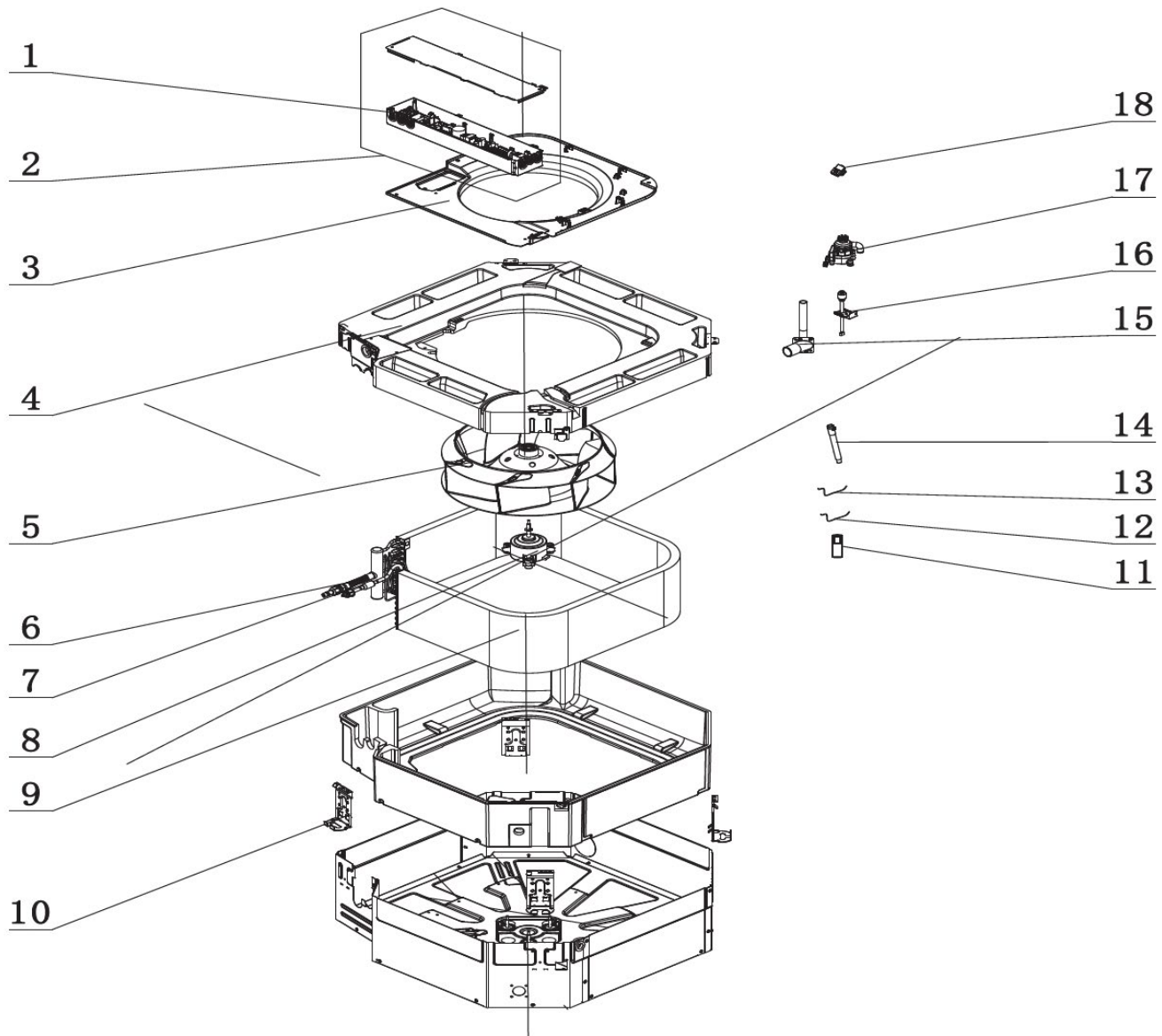
# EXPLODED VIEW & PARTS LIST



## CAS24HP230V1R32AH

No.	Part Description	Qty	Part No.
NS	Rear Case assy	1	<a href="#">01519400003</a>
11	Seat Board Sub-Assy	1	02229400011
8	Side Plate 1	1	01319400049
9	Side Plate 2	1	01319400050
10	Side Plate 3	2	01319400051
7	Evaporator Assy	1	<a href="#">011001000254</a>
NS	Corrugated Pipe	1	<a href="#">05029434</a>
12	Strainer	1	07213050
18	Temperature Sensor 20KT-EH-2P-K3	1	<a href="#">39000286</a>
13	Gas Sensor R32	1	<a href="#">34002406001602</a>
NS	Mounting Plate	1	<a href="#">01329400011</a>
NS	Motor Support Sub-Assy	1	<a href="#">017012060050P</a>
NS	Motor Support Sub-Assy	1	<a href="#">017012060050</a>
14	Brushless DC Motor FN35D-ZL	1	<a href="#">1570410000702</a>
4	Centrifugal Fan	1	10429400004
NS	Fan Fixer	1	<a href="#">10312701</a>
15	Water Pump PSB-0.024/1.2	1	<a href="#">43138000058</a>
16	Drainage Pipe Sub-assy	1	26909400055
NS	Liquid Level Switch Sub-assy	1	45018000029
5	Liquid Level Switch	1	4502021601
6	Body Installing Plate	4	<a href="#">01332701</a>
2	Diversion Circle	1	26909400067
NS	Seal plate	1	0149940000202
1	Electric Box Assy	1	<a href="#">100002082759</a>
22	Main Board Z4M551ZJ	1	<a href="#">300002064325</a>
NS	Jumper Cap(2.5 Blue)	1	<a href="#">4202021910</a>
21	Terminal Board	1	<a href="#">42000100000207</a>
19	Temperature Sensor 15KS-XH-2P-K3	1	<a href="#">390000453</a>
NS	Electric Box Cover	1	<a href="#">01429400016</a>
NS	Sensor Sheath	1	<a href="#">42032703</a>
NS	Packaging Foam	1	<a href="#">52069403</a>
20	Drain Hose Sub-Assy	1	<a href="#">05232702</a>
NS	Drain Hose	1	05232044
17	Remote Controller YBE1FB5F	1	<a href="#">305001060180</a>

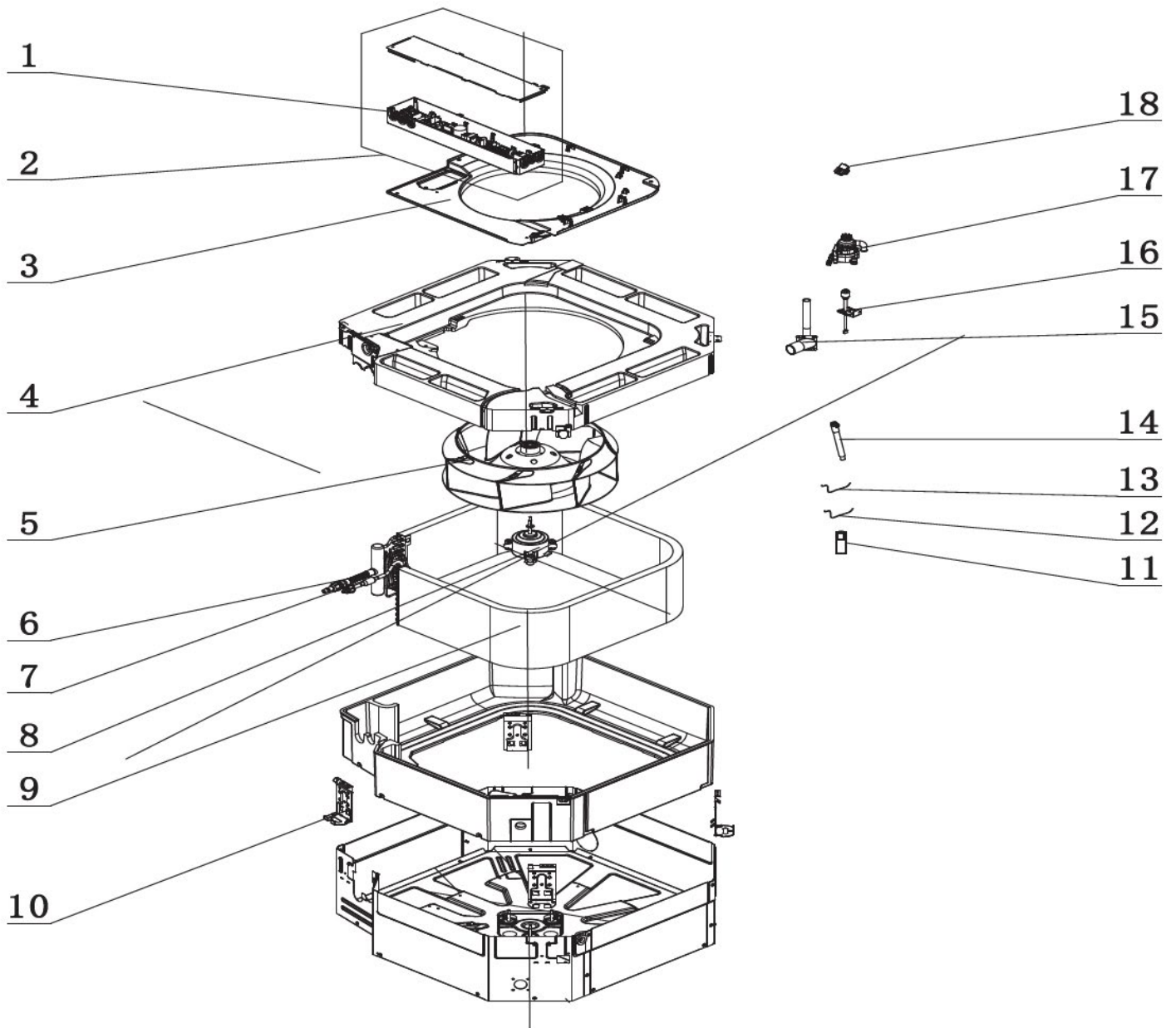
# EXPLODED VIEW & PARTS LIST



## CAS30HP230V1R32AH

No.	Part Description	Qty	Part No.
NS	Seat Board Sub-Assy	1	017080060148
NS	Side Plate 1	1	012010061292
NS	Side Plate	1	012010061293
NS	Side Plate	2	012010061294
NS	Deflector fixed insert	1	01722701
9	Evaporator Assy	1	011001063313
NS	Current Divider	1	<a href="#">035032060048</a>
7	Strainer	1	<a href="#">035021060019</a>
13	Temperature Sensor	1	<a href="#">390001921</a>
18	Gas Sensor	1	<a href="#">34002406001602</a>
8	Brushless DC Motor	1	15010406013401
5	Centrifugal Fan	1	103003060047
NS	Fan Fixer	1	<a href="#">10312701</a>
17	Water Pump	1	4313800005803
NS	Cover Plate Sub-Assy	1	011657060416
15	Drainage Pipe Sub-assy	1	269094000055
NS	Drainage Joint	1	061328000003
16	Liquid Level Switch	1	4502021603
10	Body Installing Plate	4	<a href="#">01332701</a>
4	Water Tray Assy	1	000069060483
NS	Deflector fixed insert	3	01722701
3	Diversion Circle	1	200150060030
NS	Wire Clamp	1	<a href="#">71010003</a>
NS	Wire Clamp	1	<a href="#">71010003</a>
2	Electric Box Assy	1	100002083606
NS	Cable Cross Loop	1	200136060003
1	Terminal Board	1	422000060091
NS	Jumper	1	<a href="#">4202021920</a>
12	Temperature Sensor	1	<a href="#">390000451</a>
11	Remote Controller	1	<a href="#">305001060180</a>
14	Drain Hose Sub-Assy	1	<a href="#">05339400001</a>
NS	Drain Hose	1	05232044

# EXPLODED VIEW & PARTS LIST



CAS36HP230V1R32AH

No.	Part Description	Qty	Part No.
NS	Seat Board Sub-Assy	1	017080060148
NS	Side Plate 1	1	012010061292
NS	Side Plate	1	012010061293
NS	Side Plate	2	012010061294
NS	Deflector fixed insert	1	01722701
9	Evaporator Assy	1	011001063305
NS	Current Divider	1	<a href="#">035032060048</a>
7	Strainer	1	07213050
13	Temperature Sensor	1	<a href="#">390001921</a>
18	Gas Sensor	1	<a href="#">34002406001602</a>
8	Brushless DC Motor	1	15010406013401
5	Centrifugal Fan	1	103003060047
NS	Fan Fixer	1	<a href="#">10312701</a>
17	Water Pump	1	4313800005803
NS	Cover Plate Sub-Assy	1	011657060416
15	Drainage Pipe Sub-assy	1	269094000055
NS	Drainage Joint	1	061328000003
16	Liquid Level Switch	1	4502021603
10	Body Installing Plate	4	<a href="#">01332701</a>
4	Water Tray Assy	1	000069060483
NS	Deflector fixed insert	3	01722701
3	Diversion Circle	1	200150060030
NS	Wire Clamp	1	<a href="#">71010003</a>
NS	Wire Clamp	1	<a href="#">71010003</a>
2	Electric Box Assy	1	100002083606
NS	Cable Cross Loop	1	200136060003
1	Terminal Board	1	422000060091
NS	Jumper	1	<a href="#">4202021920</a>
12	Temperature Sensor	1	<a href="#">390000451</a>
11	Remote Controller	1	<a href="#">305001060180</a>
14	Drain Hose Sub-Assy	1	<a href="#">05339400001</a>
NS	Drain Hose	1	05232044