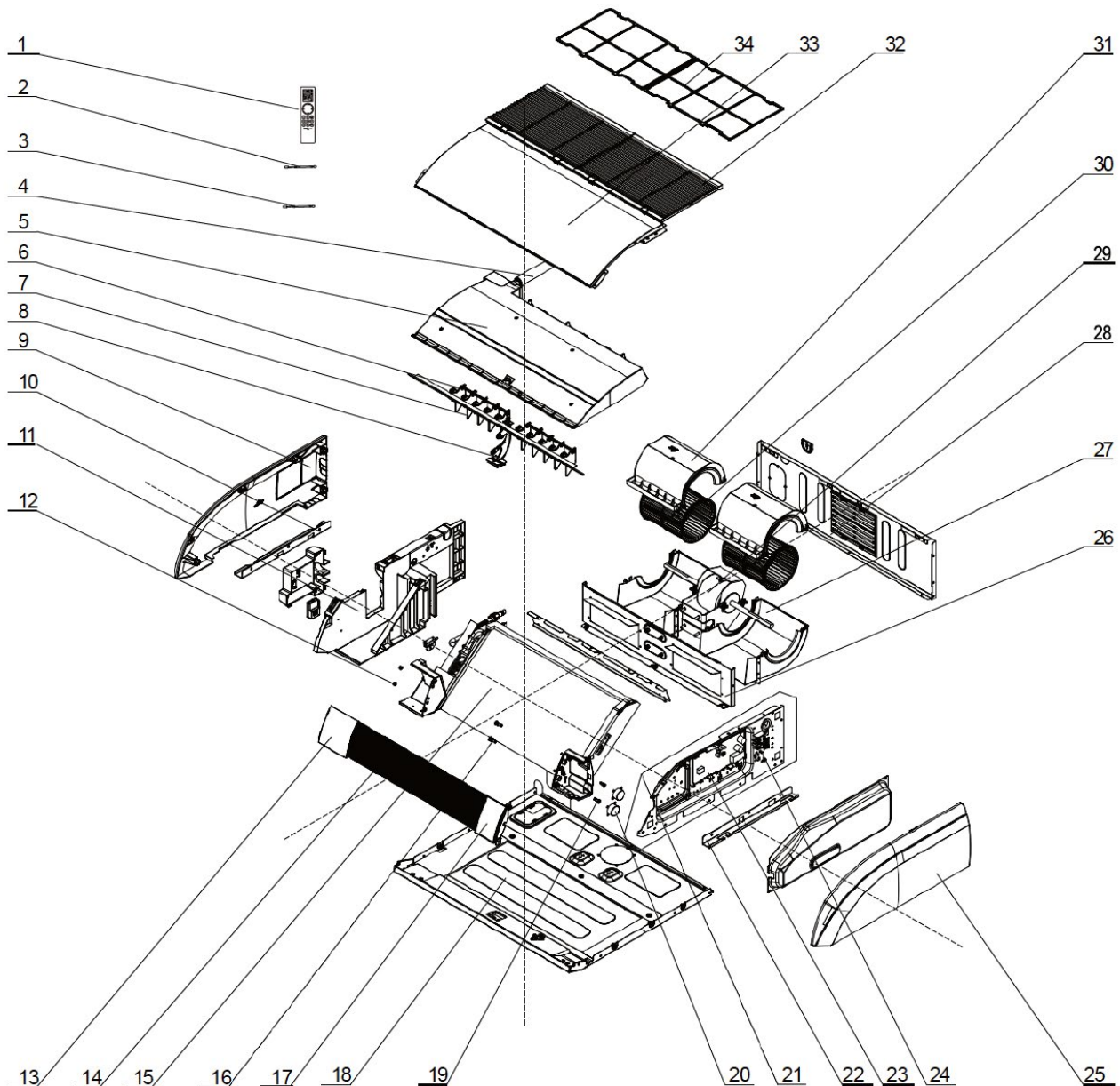


# EXPLODED VIEW & PARTS LIST



**Model Number:**  
FLR09HP230V1R32AH

**PTAC DIRECT SALES, INC.**  
185 S. KIMBALL AVE., SUITE 130  
SOUTHLAKE, TX 76092  
877.454.7822  
[www.PTACdirect.com](http://www.PTACdirect.com)



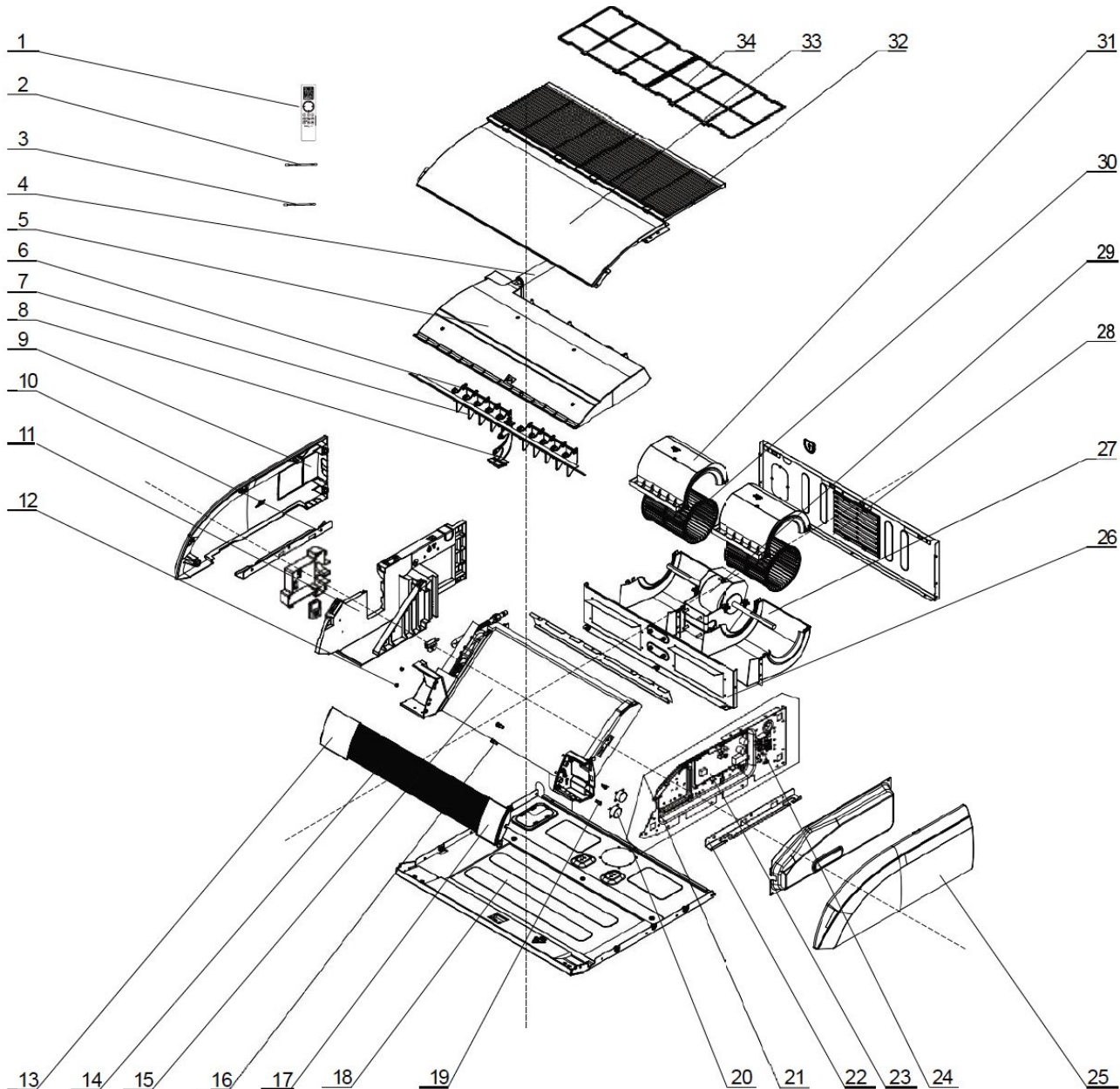
FLR09HP230V1R32AH

No.	Part Description	Qty	Part No.
18	Base Plate Assy	1	<a href="#">011007000032</a>
NS	Seat Board Sub-Assy	1	<a href="#">017080000040</a>
NS	Cover Plate (Inlet and outlet Pipe)	1	<a href="#">26909452</a>
11	Right Side Plate	1	<a href="#">26909400074</a>
NS	Clapboard Assy	1	<a href="#">000075060226</a>
26	Clapboard Sub-Assy	1	<a href="#">017021000088</a>
NS	Motor Support Sub-Assy	1	<a href="#">017012000124</a>
29	Brushless DC Motor FG40A-ZL	1	<a href="#">15706000037</a>
30	Centrifugal Fan	2	<a href="#">103003000001</a>
NS	Fan Nesting	1	0220520401
27	Propeller Housing (Lower)	2	<a href="#">200230000001</a>
31	Propeller Housing (Upper)	2	<a href="#">200230000002</a>
23	Main Board Z4L2512ACJ	1	<a href="#">300002064322</a>
NS	Jumper cap 2.5mm (blue)	1	<a href="#">4202021921</a>
24	Terminal Board	1	<a href="#">420001000002</a>
28	Rear Side Plate Sub-Assy	1	<a href="#">017051000046</a>
34	Filter Sub-Assy	1	<a href="#">111001000001</a>
NS	Mounting Rack Sub-Assy	1	<a href="#">017044000008</a>
19	Crankshaft	2	<a href="#">200023000001</a>
20	Stepping Motor MP35CG	2	<a href="#">1521240206</a>
17	Display Board Z4L25	1	<a href="#">30294000009</a>
NS	Membrane	1	<a href="#">60539400003</a>
15	Evaporator Assy	1	<a href="#">011001063507</a>
NS	Evaporator Assy	1	<a href="#">01100106023501</a>
NS	Corrugated Pipe	1	<a href="#">0502513401</a>
NS	Current Divider	1	<a href="#">035032000021</a>
NS	Diversion plate (left)	1	<a href="#">012284000004</a>
NS	Diversion plate (right)	1	<a href="#">012284000003</a>
NS	Mounting Rack Sub-Assy	1	<a href="#">017044000007</a>
12	AXILE BUSH	2	<a href="#">10542704</a>
13	Front Panel	1	<a href="#">200003000001</a>
NS	Water Tray Assy	1	<a href="#">000069000066</a>
5	Water Tray	1	<a href="#">200063000024</a>

FLR09HP230V1R32AH

No.	Part Description	Qty	Part No.
33	Top Cover	1	<a href="#">012148000046P</a>
NS	Top Cover	1	<a href="#">012148000046</a>
4	Drainage Pipe Sub-Assy	1	<a href="#">05235434</a>
7	Air Louver	10	<a href="#">200007000001</a>
6	Swing Lever	2	<a href="#">10582009</a>
8	Supporter (Guide Louver)	1	<a href="#">26909400076</a>
NS	Gas Sensor R32	1	<a href="#">34002406001603</a>
22	Installation Supporting Frame(left)	1	<a href="#">01809401</a>
10	Installation Supporting Frame(right)	1	<a href="#">01809402</a>
NS	Location Limited Plate	1	<a href="#">012217000010</a>
NS	Rubber Band	1	<a href="#">76002800000502</a>
NS	Electric Box Cover	1	<a href="#">0142940002201</a>
NS	Rubber Band	1	<a href="#">76002800000502</a>
NS	Rubber Band	1	<a href="#">7600280000011</a>
25	Left Cover Plate	1	<a href="#">26909400070</a>
9	Right Cover Plate	1	<a href="#">26909400071</a>
NS	Adhesive Cover (Drainage Pipe)	1	<a href="#">26909453</a>
14	Guide Louver	2	<a href="#">200004000046</a>
16	Rotating Shaft 3	2	<a href="#">26909430</a>
32	Front Grill	2	<a href="#">200226000004</a>
34	Filter Sub-Assy	2	<a href="#">111001000072</a>
2	Temperature Sensor 20KT-EH-2P-K3	1	<a href="#">39000106009101</a>
3	Room Sensor 15KS-XH-2P-K3	1	<a href="#">39000191</a>
1	Remote Controller	1	<a href="#">305001060180</a>

# EXPLODED VIEW & PARTS LIST



FLR12HP230V1R32AH

No.	Part Description	Qty	Part No.
18	Base Plate Assy	1	<a href="#">011007000032</a>
NS	Seat Board Sub-Assy	1	<a href="#">017080000040</a>
NS	Cover Plate (Inlet and outlet Pipe)	1	<a href="#">26909452</a>
11	Right Side Plate	1	<a href="#">26909400074</a>
NS	Clapboard Assy	1	<a href="#">000075060226</a>
26	Clapboard Sub-Assy	1	<a href="#">017021000088</a>
NS	Motor Support Sub-Assy	1	<a href="#">017012000124</a>
29	Brushless DC Motor FG40A-ZL	1	<a href="#">15706000037</a>
30	Centrifugal Fan	2	<a href="#">103003000001</a>
NS	Fan Nesting	1	0220520401
27	Propeller Housing (Lower)	2	<a href="#">200230000001</a>
31	Propeller Housing (Upper)	2	<a href="#">200230000002</a>
23	Main Board Z4L2512ACJ	1	<a href="#">300002064322</a>
NS	Jumper cap 2.5mm (blue)	1	<a href="#">4202021922</a>
24	Terminal Board	1	<a href="#">420001000002</a>
28	Rear Side Plate Sub-Assy	1	<a href="#">017051000046</a>
34	Filter Sub-Assy	1	<a href="#">111001000001</a>
NS	Mounting Rack Sub-Assy	1	<a href="#">017044000008</a>
19	Crankshaft	2	<a href="#">200023000001</a>
20	Stepping Motor MP35CG	2	<a href="#">1521240206</a>
17	Display Board Z4L25	1	<a href="#">30294000009</a>
NS	Membrane	1	<a href="#">60539400003</a>
15	Evaporator Assy	1	<a href="#">011001063507</a>
NS	Evaporator Assy	1	<a href="#">01100106023501</a>
NS	Corrugated Pipe	1	<a href="#">0502513401</a>
NS	Current Divider	1	<a href="#">035032000021</a>
NS	Diversion plate (left)	1	<a href="#">012284000004</a>
NS	Diversion plate (right)	1	<a href="#">012284000003</a>
NS	Mounting Rack Sub-Assy	1	<a href="#">017044000007</a>
12	AXILE BUSH	2	<a href="#">10542704</a>
13	Front Panel	1	<a href="#">200003000001</a>
NS	Water Tray Assy	1	<a href="#">000069000066</a>
5	Water Tray	1	<a href="#">200063000024</a>

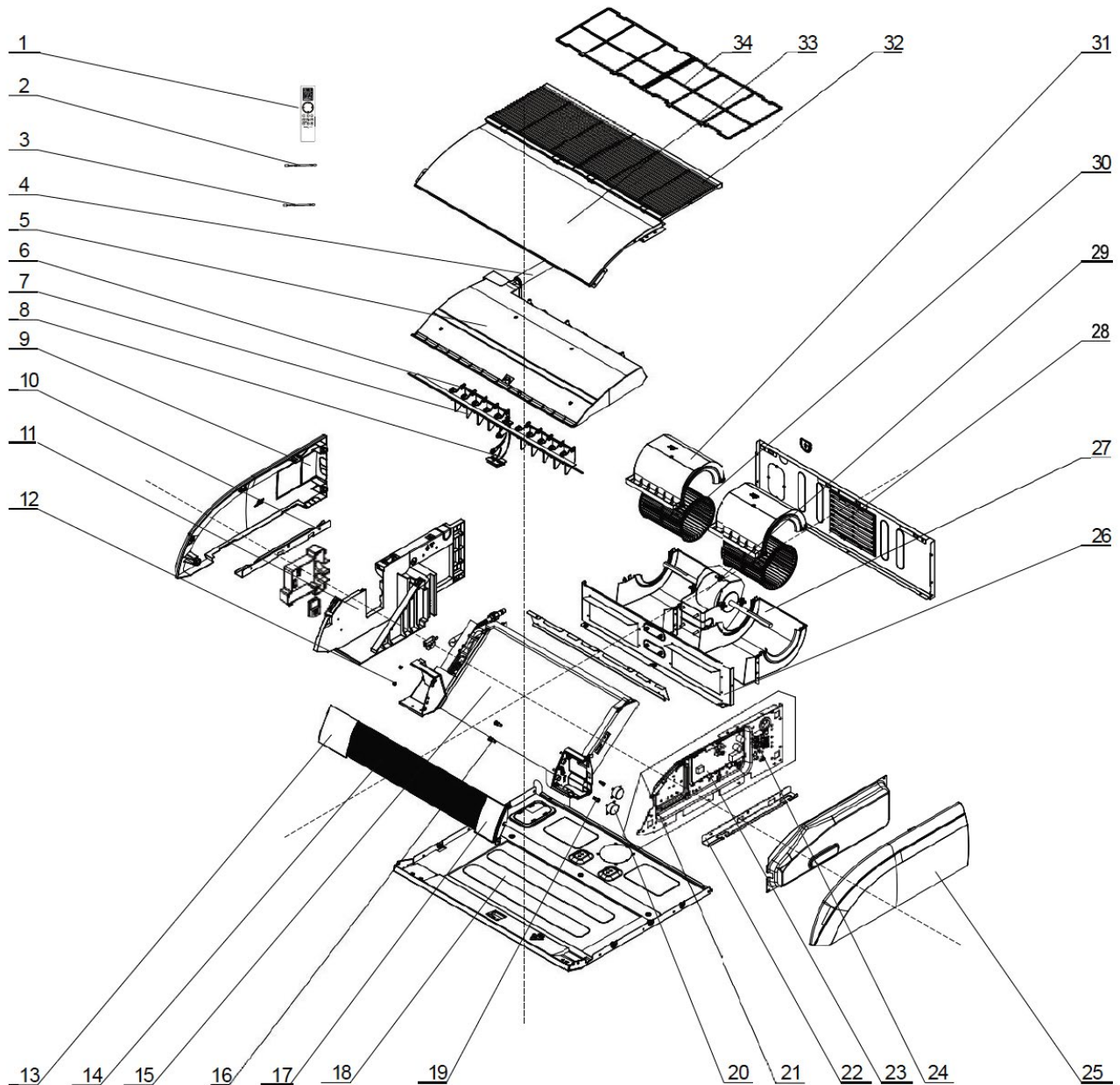
FLR12HP230V1R32AH

No.	Part Description	Qty	Part No.
33	Top Cover	1	<a href="#">012148000046P</a>
NS	Top Cover	1	<a href="#">012148000046</a>
4	Drainage Pipe Sub-Assy	1	<a href="#">05235434</a>
7	Air Louver	10	<a href="#">200007000001</a>
6	Swing Lever	2	<a href="#">10582009</a>
8	Supporter (Guide Louver)	1	<a href="#">26909400076</a>
NS	Gas Sensor R32	1	<a href="#">34002406001603</a>
22	Installation Supporting Frame(left)	1	<a href="#">01809401</a>
10	Installation Supporting Frame(right)	1	<a href="#">01809402</a>
NS	Location Limited Plate	1	<a href="#">012217000010</a>
NS	Rubber Band	1	<a href="#">76002800000502</a>
NS	Electric Box Cover	1	<a href="#">0142940002201</a>
NS	Rubber Band	1	<a href="#">76002800000502</a>
NS	Rubber Band	1	<a href="#">7600280000011</a>
25	Left Cover Plate	1	<a href="#">26909400070</a>
9	Right Cover Plate	1	<a href="#">26909400071</a>
NS	Adhesive Cover (Drainage Pipe)	1	<a href="#">26909453</a>
14	Guide Louver	2	<a href="#">200004000046</a>
16	Rotating Shaft 3	2	<a href="#">26909430</a>
32	Front Grill	2	<a href="#">200226000004</a>
34	Filter Sub-Assy	2	<a href="#">111001000072</a>
2	Temperature Sensor 20KT-EH-2P-K3	1	<a href="#">39000106009101</a>
3	Room Sensor 15KS-XH-2P-K3	1	<a href="#">39000191</a>
1	Remote Controller YBE1FB5F	1	<a href="#">305001060180</a>

# EXPLODED VIEW & PARTS LIST



**Model Number:**  
FLR18HP230V1R32AH



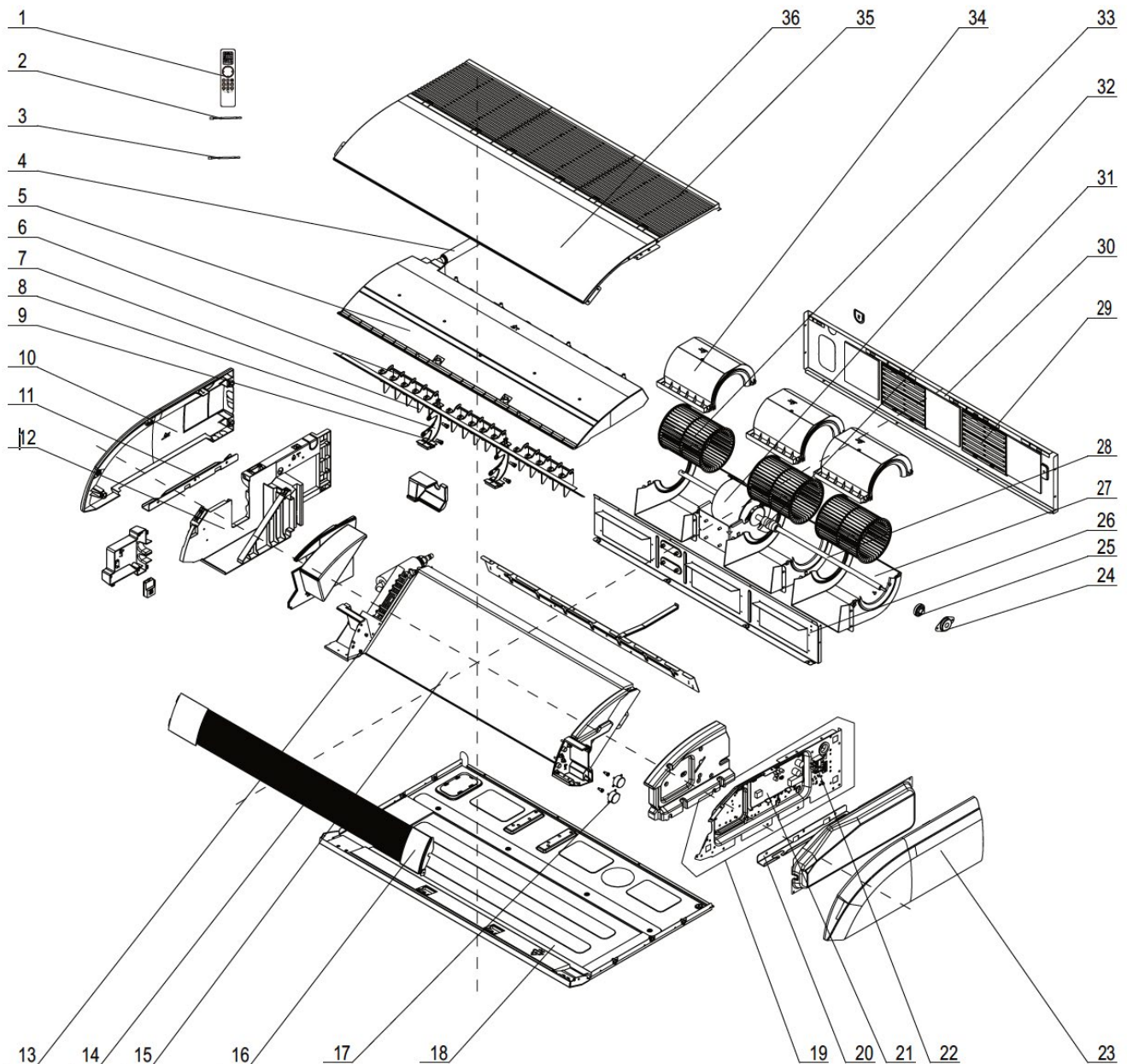
FLR18HP230V1R32AH

No.	Part Description	Qty	Part No.
18	Base Plate Assy	18	<a href="#">011007000032</a>
NS	Seat Board Sub-Assy	NS	<a href="#">017080000040</a>
NS	Cover Plate (Inlet and outlet Pipe)	NS	<a href="#">26909452</a>
11	Right Side Plate	11	<a href="#">26909400074</a>
NS	Clapboard Assy	NS	<a href="#">000075060226</a>
26	Clapboard Sub-Assy	26	<a href="#">017021000088</a>
NS	Motor Support Sub-Assy	NS	<a href="#">017012000124</a>
29	Brushless DC Motor FG40A-ZL	29	<a href="#">15706000037</a>
30	Centrifugal Fan	30	<a href="#">103003000001</a>
NS	Electric Box Assy	NS	<a href="#">100002082788</a>
27	Propeller Housing (Lower)	27	<a href="#">200230000001</a>
31	Propeller Housing (Upper)	31	<a href="#">200230000002</a>
23	Main Board Z4L2512ACJ	23	<a href="#">300002064322</a>
NS	Jumper cap 2.5mm (blue)	NS	4202021923
24	Terminal Board	24	<a href="#">420001000002</a>
28	Rear Side Plate Sub-Assy	28	<a href="#">017051000046</a>
34	Filter Sub-Assy	34	<a href="#">111001000001</a>
NS	Mounting Rack Sub-Assy	NS	<a href="#">017044000008</a>
19	Crankshaft	19	<a href="#">200023000001</a>
20	Stepping Motor MP35CG	20	<a href="#">1521240206</a>
17	Display Board Z4L25	17	<a href="#">30294000009</a>
NS	Membrane	NS	<a href="#">60539400003</a>
15	Evaporator Assy	15	<a href="#">011001063514</a>
NS	Evaporator Assy	NS	<a href="#">01100100048701</a>
NS	Corrugated Pipe	NS	<a href="#">05025112</a>
NS	Current Divider	NS	<a href="#">035032000021</a>
NS	Diversion plate (left)	NS	<a href="#">012284000004</a>
NS	Diversion plate (right)	NS	<a href="#">012284000003</a>
NS	Mounting Rack Sub-Assy	NS	<a href="#">017044000007</a>
12	AXILE BUSH	12	<a href="#">10542704</a>
13	Front Panel	13	<a href="#">200003000001</a>
NS	Water Tray Assy	NS	<a href="#">000069000066</a>
5	Water Tray	5	<a href="#">200063000024</a>

FLR18HP230V1R32AH

No.	Part Description	Qty	Part No.
33	Top Cover	1	<a href="#">012148000046P</a>
NS	Top Cover	1	<a href="#">012148000046</a>
4	Drainage Pipe Sub-Assy	1	<a href="#">05235434</a>
7	Air Louver	10	<a href="#">200007000001</a>
6	Swing Lever	2	<a href="#">10582009</a>
8	Supporter (Guide Louver)	1	<a href="#">26909400076</a>
NS	Gas Sensor R32	1	<a href="#">34002406001603</a>
22	Installation Supporting Frame(left)	1	<a href="#">01809401</a>
10	Installation Supporting Frame(right)	1	<a href="#">01809402</a>
NS	Location Limited Plate	1	<a href="#">012217000010</a>
NS	Rubber Band	1	<a href="#">76002800000502</a>
NS	Electric Box Cover	1	<a href="#">0142940002201</a>
NS	Rubber Band	1	<a href="#">76002800000502</a>
NS	Rubber Band	1	<a href="#">7600280000011</a>
25	Left Cover Plate	1	<a href="#">26909400070</a>
9	Right Cover Plate	1	<a href="#">26909400071</a>
NS	Adhesive Cover (Drainage Pipe)	1	<a href="#">26909453</a>
14	Guide Louver	2	<a href="#">200004000046</a>
16	Rotating Shaft 3	2	<a href="#">26909430</a>
32	Front Grill	2	<a href="#">200226000004</a>
34	Filter Sub-Assy	2	<a href="#">111001000072</a>
2	Temperature Sensor 20KT-EH-2P-K3	1	<a href="#">39000106009101</a>
3	Room Sensor 15KS-XH-2P-K3	1	<a href="#">39000191</a>
1	Remote Controller YBE1FBSF	1	<a href="#">305001060180</a>

# EXPLODED VIEW & PARTS LIST



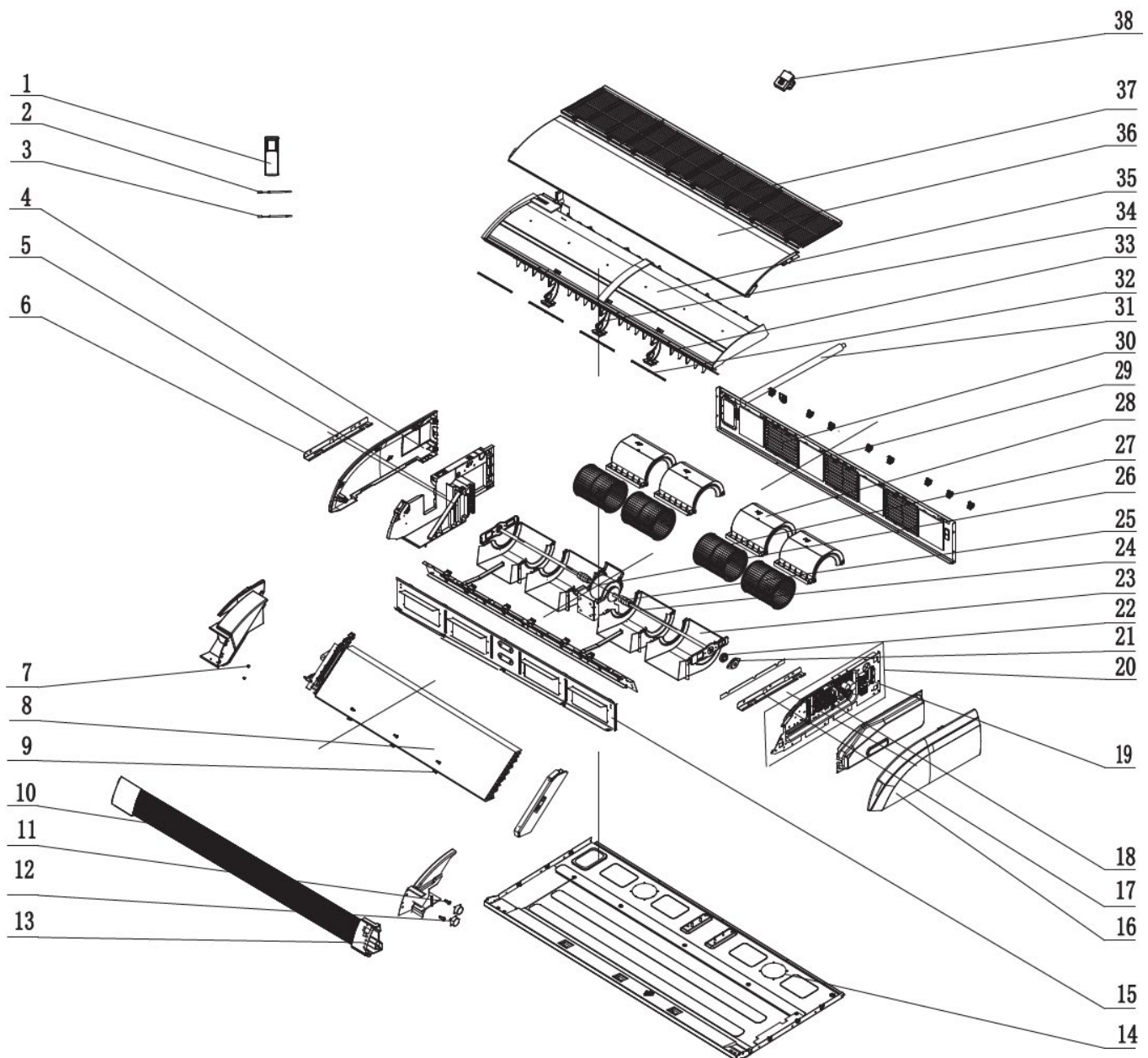
FLR24HP230V1R32AH

No.	Part Description	Qty	Part No.
NS	Seat Board Sub-Assy	1	<a href="#">017080000052</a>
NS	Cover Plate(Inlet and outlet Pipe)	1	<a href="#">26909452</a>
12	Right Side Plate	1	<a href="#">26909400074</a>
26	Clapboard Sub-Assy	1	<a href="#">01249400018</a>
NS	Motor Support Sub-Assy	1	<a href="#">017012000139</a>
31	Joint Slack	1	<a href="#">73018731</a>
28	Roller Wheel	1	<a href="#">700004500433</a>
32	Brushless DC Motor FG80C-ZL	1	<a href="#">150104060113</a>
33	Centifugal Fan	2	<a href="#">103003000001</a>
NS	Fan Nesting	1	0220520401
27	Propeller Housing(Lower)	2	<a href="#">200230000001</a>
34	Propeller Housing(Upper)	2	<a href="#">200230000002</a>
19	Electric Box Assy	1	<a href="#">100002082787</a>
21	Main Board Z4L2512ACJ	1	<a href="#">300002064322</a>
NS	Jumper cap 2.5mm (blue)	1	<a href="#">4202021924</a>
22	Terminal Board	1	<a href="#">420001000002</a>
30	Rear Side Plate Sub-Assy	1	<a href="#">017051000005</a>
29	Filter Sub-Assy	1	<a href="#">111001000001</a>
NS	Mounting Rack Sub-Assy	1	<a href="#">017044000008</a>
NS	Crankshaft	2	<a href="#">200023000001</a>
17	Stepping Motor MP35CG	2	<a href="#">1521240206</a>
16	Display Board Z4L25	1	<a href="#">30294000009</a>
NS	Membrane	1	<a href="#">60539400003</a>
15	Evaporator Assy	1	<a href="#">011001063513</a>
NS	Evaporator Assy	1	<a href="#">01100106250601</a>
NS	Corrugated Pipe	1	<a href="#">0502511204</a>
NS	Diversion plate (left)	1	<a href="#">012284000004</a>
NS	Diversion plate (right)	1	<a href="#">012284000003</a>
NS	Mounting Rack Sub-Assy	1	<a href="#">017044000007</a>
13	AXILE BUSH	2	<a href="#">10542704</a>
NS	Front Panel	1	<a href="#">200003000001</a>
NS	Water Tray Assy	1	<a href="#">01289400017</a>
5	Water Tray	1	<a href="#">200063000003</a>

FLR24HP230V1R32AH

No.	Part Description	Qty	Part No.
36	Top Cover	1	<a href="#">01269400012P</a>
NS	Top Cover	1	<a href="#">01269400012</a>
4	Drainage Pipe Sub-assy	1	<a href="#">05235434</a>
7	Air Louver	10	<a href="#">200007000001</a>
6	Swing Lever	2	<a href="#">10582009</a>
8	Supporter(Guide Louver)	1	<a href="#">26909400076</a>
NS	Gas Sensor R32	1	<a href="#">34002406001604</a>
20	Installation Supporting Frame(left)	1	<a href="#">01809401</a>
11	Installation Supporting Frame(right)	1	<a href="#">01809402</a>
NS	Location Limited Plate	1	<a href="#">02229400044</a>
NS	Rubber Band	1	<a href="#">760028000005</a>
NS	Electric Box Cover	1	<a href="#">0142940002201</a>
NS	Rubber Band	1	<a href="#">760028000005</a>
NS	Rubber Band	1	<a href="#">760028000011</a>
23	Left Cover Plate	1	<a href="#">26909400070</a>
10	Right Cover Plate	1	<a href="#">26909400071</a>
NS	Adhesive Cover (Drainage Pipe)	1	<a href="#">26909453</a>
14	Guide Louver	2	<a href="#">200004500422</a>
9	Rotating Shaft 3	2	<a href="#">26909430</a>
35	Front Grill	2	<a href="#">26909400072</a>
29	Filter Sub-Assy	2	<a href="#">11729400004</a>
2	Temperature Sensor 20KT-EH-2P-K3	1	<a href="#">39000106009102</a>
3	Room Sensor 15KS-XH-2P-K3	1	<a href="#">39000191</a>
1	Remote Controller YBE1FB5F	1	<a href="#">305001060180</a>

# EXPLODED VIEW & PARTS LIST



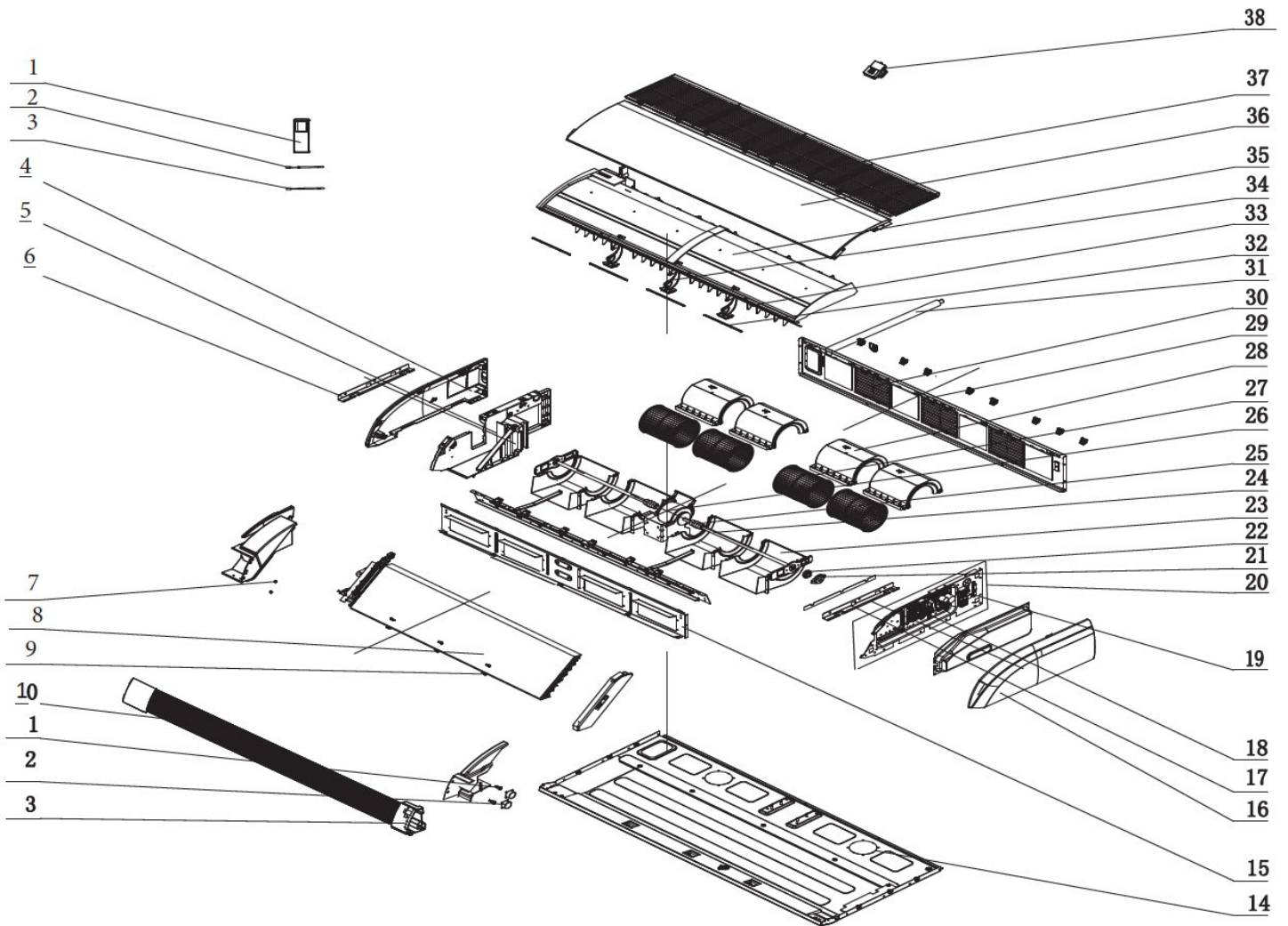
FLR30HP230V1R32AH

No.	Part Description	Qty	Part No.
NS	Cover Plate(Inlet and outlet Pipe)	1	<a href="#">26909452</a>
14	Seat Board Sub-Assy	1	<a href="#">017080000052</a>
4	Right Side Plate	1	<a href="#">26909400074</a>
15	Clapboard Sub-Assy	1	<a href="#">01249400018</a>
NS	Motor Support Sub-Assy	1	<a href="#">017012000139</a>
26	Brushless DC Motor	1	<a href="#">150104060113</a>
25	Joint Slack	1	<a href="#">73018731</a>
24	Roller Wheel	1	<a href="#">700004500433</a>
23	Propeller Housing(Lower)	3	<a href="#">200230000001</a>
27	Centifugal Fan	3	<a href="#">103003000001</a>
NS	Fan Nesting	1	0220520401
NS	Supporter	1	<a href="#">01809400076</a>
NS	Bearing Holder Sub-assy	1	<a href="#">26909400050</a>
22	O-Gasket of Bearing	1	<a href="#">76512404</a>
NS	Fan Bearing	1	<a href="#">76512210</a>
21	Support Of Motor Bearing	1	<a href="#">01792408</a>
20	Electric Box Assy	1	100002083607
19	Terminal Board	1	<a href="#">420001000002</a>
18	Main Board	1	<a href="#">300002064322</a>
NS	Jumper	1	<a href="#">4202021918</a>
29	Rear Side Plate Sub-Assy	1	<a href="#">017051000005</a>
NS	Base plate 2	1	<a href="#">012234000015</a>
30	Filter Sub-Assy	2	<a href="#">111001000001</a>
NS	Mounting Rack Sub-Assy	1	017044060010
11	Crankshaft	2	<a href="#">200023000001</a>
12	Stepping Motor	2	1521240215
13	Display Board	1	<a href="#">30294000009</a>
NS	Membrane	1	<a href="#">60539400003</a>
8	Evaporator Assy	1	011001062509
8	Evaporator Assy	1	<a href="#">011001062506</a>
NS	Corrugated Pipe	1	<a href="#">0502511204</a>
NS	Diversion plate (left)	1	<a href="#">012284000004</a>

FLR30HP230V1R32AH

No.	Part Description	Qty	Part No.
NS	Diversion plate (right)	1	<a href="#">012284000003</a>
NS	Mounting Rack Sub-Assy	1	<a href="#">017044000007</a>
7	AXILE BUSH	2	<a href="#">10542704</a>
NS	Front Panel	1	<a href="#">200003000001</a>
NS	Water Tray Assy	1	<a href="#">01289400017</a>
35	Water Tray	1	<a href="#">200063000003</a>
NS	Top Cover	1	<a href="#">01269400012P</a>
36	Top Cover	1	<a href="#">01269400012</a>
31	Drainage Pipe Sub-assy	1	<a href="#">05235434</a>
33	Air Louver	15	<a href="#">200007000001</a>
32	Swing Lever	3	<a href="#">10582009</a>
34	Supporter(Guide Louver)	2	<a href="#">26909400076</a>
28	Propeller Housing(Upper)	3	<a href="#">200230000002</a>
NS	Cover Plate	1	01203500000901
38	Gas Sensor	1	<a href="#">34002406001604</a>
6	Installation Supporting Frame(left)	1	<a href="#">01809401</a>
17	Installation Supporting Frame(right)	1	<a href="#">01809402</a>
NS	Location Limited Plate	1	<a href="#">012217000010</a>
NS	Electric Box Cover	1	<a href="#">0142940002201</a>
16	Left Cover Plate	1	<a href="#">26909400070</a>
5	Right Cover Plate	1	<a href="#">26909400071</a>
NS	Location Limited Plate	1	<a href="#">02229400044</a>
NS	Adhesive Cover (Drainage Pipe)	1	<a href="#">26909453</a>
10	Guide Louver	2	<a href="#">200004500422</a>
9	Rotating Shaft 3	4	<a href="#">26909430</a>
37	Front Grill Sub-assy	3	<a href="#">26909400066</a>
NS	Front Grill	1	<a href="#">26909400072</a>
30	Filter Sub-Assy	1	<a href="#">11729400004</a>
2	Temperature Sensor	1	<a href="#">3900019204</a>
3	Ambient Temperature Sensor	1	<a href="#">3900012123</a>
1	Remote Controller	1	<a href="#">305001060180</a>

# EXPLODED VIEW & PARTS LIST



FLR36HP230V1R32AH

No.	Part Description	Qty	Part No.
14	Base Plate Assy	1	011007060187
NS	Cover Plate(Inlet and outlet Pipe)	1	<a href="#">26909452</a>
NS	Seat Board Sub-Assy	1	017080060020
NS	Base Plate	1	02229400029
4	Right Side Plate	1	<a href="#">26909400074</a>
15	Clapboard Sub-Assy	1	01249400019
NS	Motor Support Sub-Assy	1	017012060033
26	Brushless DC Motor	1	<a href="#">15709400005</a>
25	Joint Slack	2	<a href="#">73018731</a>
24	Roller Wheel	2	700004000001
23	Propeller Housing(Lower)	4	<a href="#">200230000001</a>
27	Centifugal Fan	4	<a href="#">103003000001</a>
NS	Fan Nesting	1	0220520401
34	Supporter	2	<a href="#">01809400076</a>
22	O-Gasket of Bearing	1	<a href="#">76512404</a>
21	Support Of Motor Bearing	2	<a href="#">01792408</a>
28	Propeller Housing(Upper)	4	<a href="#">200230000002</a>
20	Electric Box Assy	1	100002083507
19	Terminal Board	1	<a href="#">420001000002</a>
18	Main Board	1	<a href="#">300002064322</a>
20	Jumper	1	<a href="#">4202021919</a>
29	Rear Side Plate Sub-Assy	1	017051000006
30	Filter Sub-Assy	3	<a href="#">111001000001</a>
NS	Mounting Rack Sub-Assy	1	017044060010
11	Crankshaft	2	<a href="#">200023000001</a>
12	Stepping Motor	2	1521240215
13	Display Board	1	<a href="#">30294000009</a>
NS	Membrane	1	<a href="#">60539400003</a>
8	Evaporator Assy	1	011001062510
8	Evaporator Assy	1	011001062508
NS	Corrugated Pipe	1	0502511201

FLR36HP230V1R32AH

No.	Part Description	Qty	Part No.
NS	Diversion plate (right)	1	<a href="#">012284000003</a>
NS	Mounting Rack Sub-Assy	1	<a href="#">017044000007</a>
7	AXILE BUSH	2	<a href="#">10542704</a>
NS	Front Panel	1	<a href="#">200003000001</a>
35	Water Tray	1	200063000002
36	Top Cover	1	01269400013P
33	Air Louver	20	<a href="#">200007000001</a>
32	Swing Lever	4	<a href="#">10582009</a>
34	Supporter(Guide Louver)	3	<a href="#">26909400076</a>
31	Drainage Pipe Sub-assy	1	<a href="#">05235434</a>
NS	Cover Plate	1	01203500000901
42	Refrigerant Sensor	1	34002406001605
6	Installation Supporting Frame(left)	1	<a href="#">01809401</a>
17	Installation Supporting Frame(right)	1	<a href="#">01809402</a>
NS	Location Limited Plate	1	<a href="#">012217000010</a>
NS	Electric Box Cover	1	<a href="#">0142940002201</a>
16	Left Cover Plate	1	<a href="#">269094000070</a>
5	Right Cover Plate	1	<a href="#">269094000071</a>
NS	Location Limited Plate	2	<a href="#">022294000044</a>
NS	Adhesive Cover (Drainage Pipe)	1	<a href="#">26909453</a>
10	Guide Louver	2	200004500426
9	Rotating Shaft 3	6	<a href="#">26909430</a>
37	Front Grill Sub-assy	4	<a href="#">26909400066</a>
NS	Front Grill	1	<a href="#">26909400072</a>
30	Filter Sub-Assy	1	<a href="#">117294000004</a>
2	Ambient Temperature Sensor	1	<a href="#">3900012123</a>
3	Tube sensor	1	<a href="#">3900020720G</a>
1	Remote Controller	1	<a href="#">305001060180</a>

**PTAC DIRECT SALES, INC.**  
**185 S. KIMBALL AVE., SUITE 130**  
**SOUTHLAKE, TX 76092**  
**877.454.7822**  
**[www.PTACdirect.com](http://www.PTACdirect.com)**