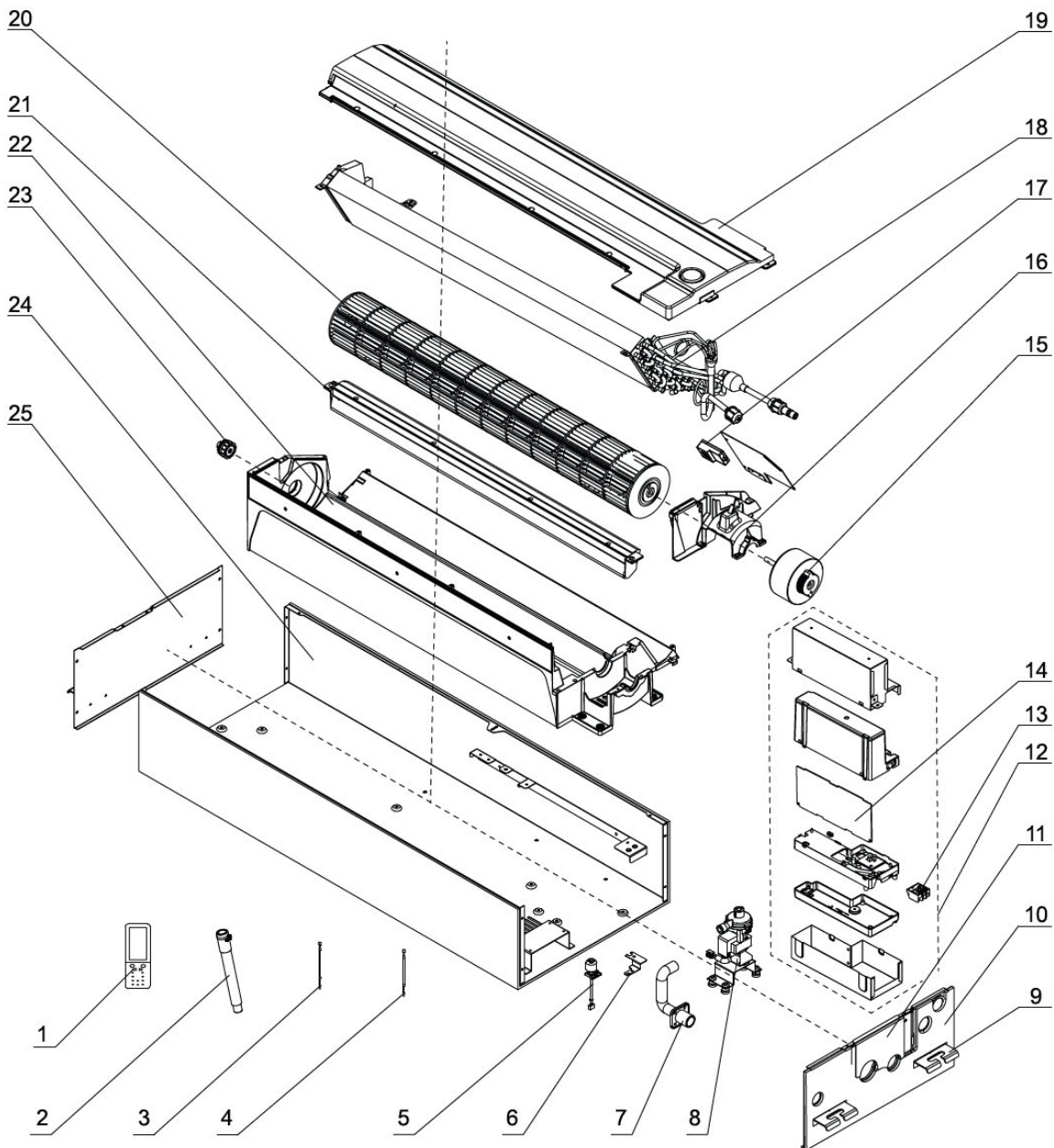


EXPLODED VIEW & PARTS LIST



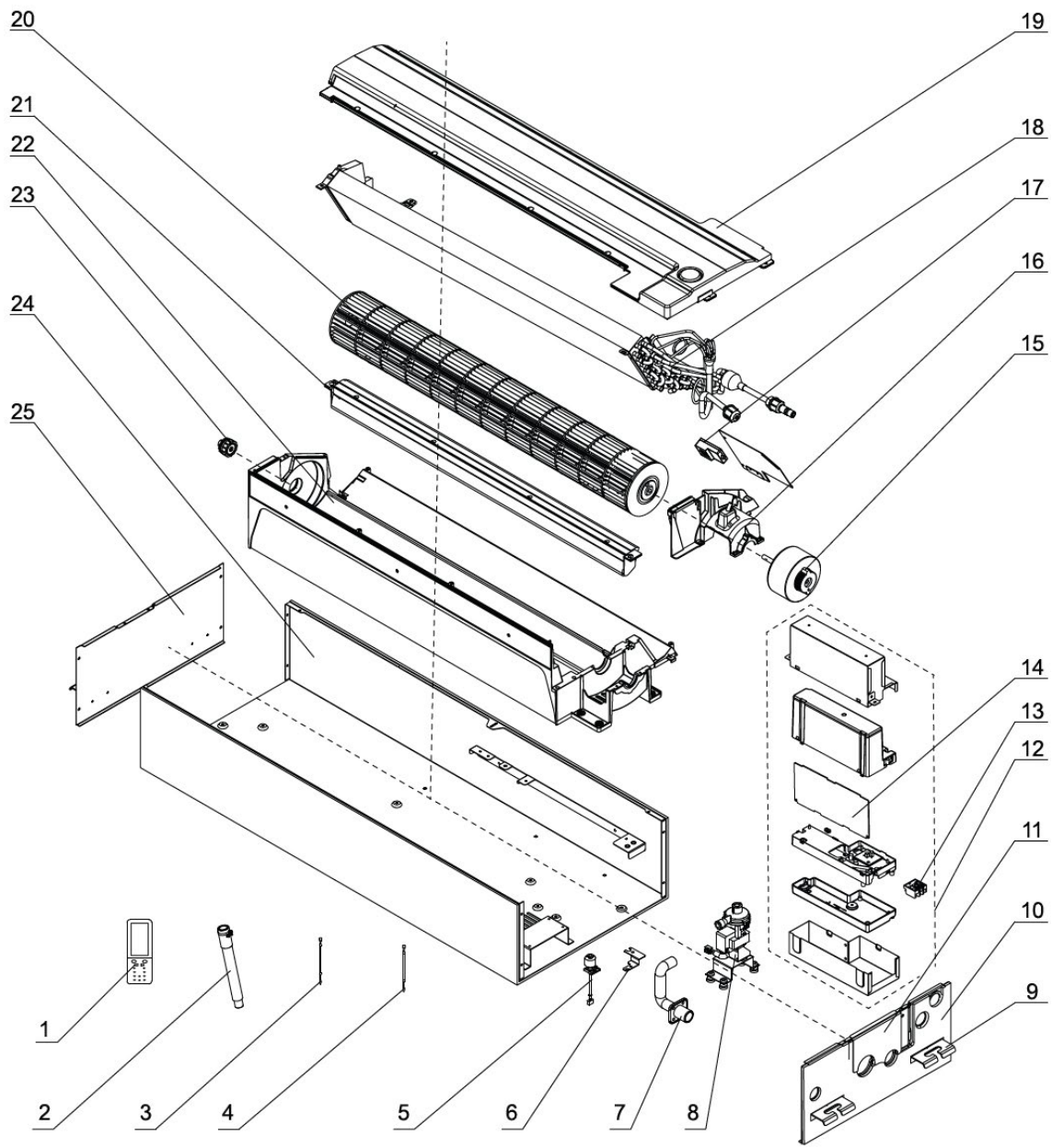
PTAC DIRECT SALES, INC.
 185 S. KIMBALL AVE., SUITE 130
 SOUTHLAKE, TX 76092
 877.454.7822
www.PTACdirect.com



OWC09HP230V1R32AH

No.	Part Description	Qty	Part No.
24	Chassis Assy	1	1194100007
15	Brushless DC Motor FN30E-ZL	1	1501214301
20	Cross Flow Fan	1	10454100001
16	Motor Press Plate	1	1344100019
21	Helicoid Tongue sub-assy	1	2224100007
NS	Helicoid Tongue	1	26904100042
25	Left Side Plate Sub-Assy	1	1314100022
10	Right Side Plate	1	131410001801
9	Hook	4	2112466
8	Water Pump PSB-0.024/1.2-A	1	81200706001601
NS	Rubber Base	4	76512703
NS	Rubber Sheet	3	760019060014
NS	Gasket 6	2	70410252
7	Pump Drainpipe	1	26905288
5	Liquid Level Switch	1	430024000005
18	Evaporator Assy	1	11001060878
NS	Damping Block	1	76012451
17	Gas Sensor R32	1	340024060016
12	Electric Box Assy	1	100002082862
14	Main Board Z4M551XJ	1	300002064305
NS	Jumper cap 2.5mm (blue)	1	4202021904
13	Terminal Board	1	422000060015
11	Tube Exit Plate Assy	1	1344100020
NS	Tube-exit Plate	1	1344100018
3	Temperature Sensor 15KS-XH-2P-K3	1	3900004510
4	Temperature Sensor 20KT-EH-2P-K3	1	390000592
19	Water Tray Sub-Assy	1	1284100011
NS	Water Tray	1	26904100035
1	Remote Controller YBE1FB5F	1	305001060180
2	Drain Hose Sub-Assy	1	7008000001
NS	Drain Hose	1	5232046

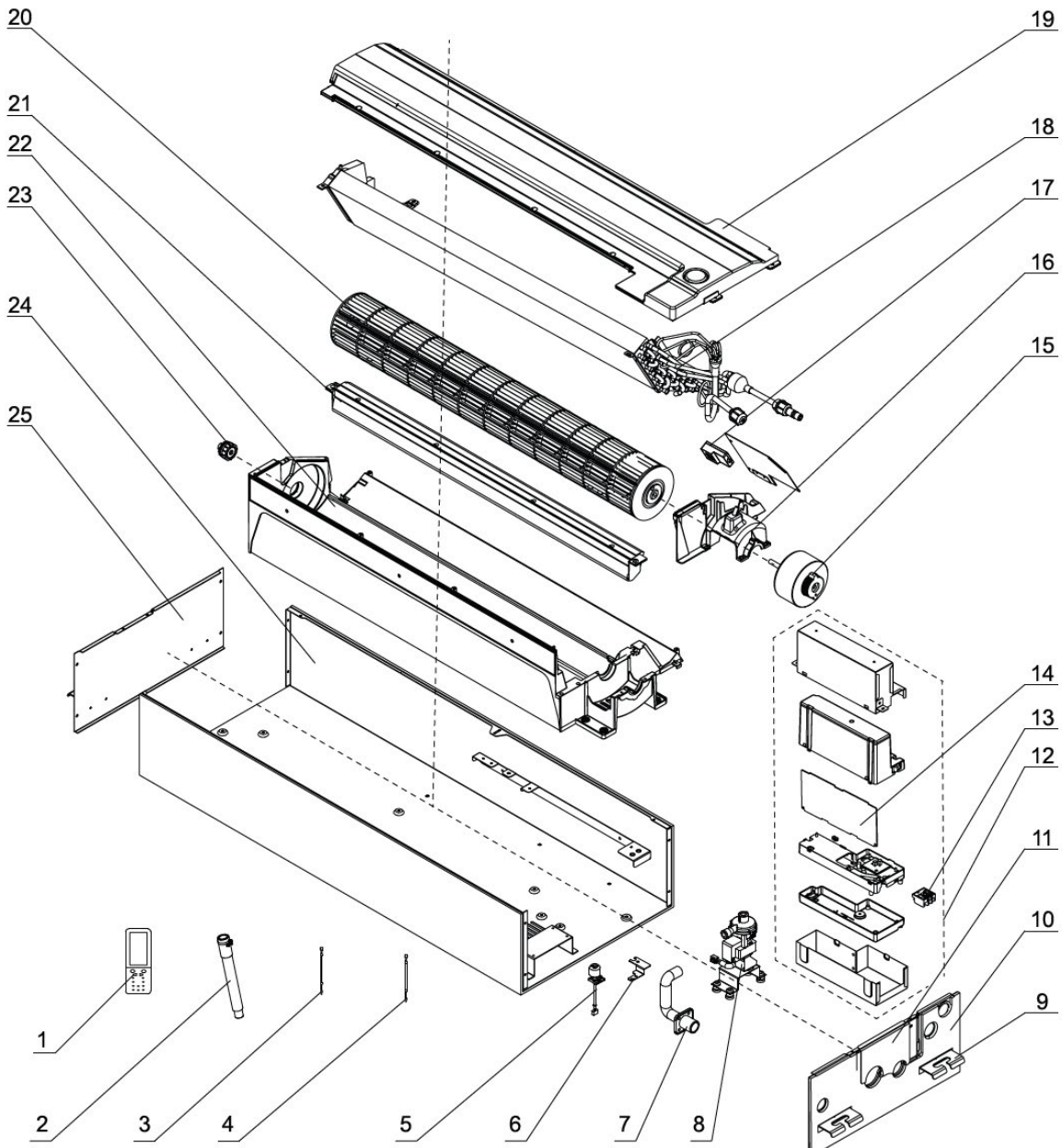
EXPLODED VIEW & PARTS LIST



OWC12HP230V1R32AH

No.	Part Description	Qty	Part No.
24	Chassis Assy	1	01194100007
15	Brushless DC Motor FN30E-ZL	1	1501214301
20	Cross Flow Fan	1	10454100001
16	Motor Press Plate	1	01344100019
NS	Helicoid Tongue sub-assy	1	02224100007
21	Helicoid Tongue	1	26904100042
25	Left Side Plate Sub-Assy	1	01314100022
10	Right Side Plate	1	0131410001801
9	Hook	4	02112466
8	Water Pump PSB-0.024/1.2-A	1	81200706001601
NS	Rubber Base	4	76512703
NS	Rubber Sheet	3	760019060014
NS	Gasket 6	2	70410252
7	Pump Drainpipe	1	26905288
5	Liquid Level Switch	1	430024000005
18	Evaporator Assy	1	011001060878
NS	Damping Block	1	76012451
17	Gas Sensor R32	1	340024060016
12	Electric Box Assy	1	100002082861
14	Main Board Z4M551XJ	1	300002064305
NS	Jumper cap 2.5mm (blue)	1	4202021905
13	Terminal Board	1	422000060015
NS	Tube Exit Plate Assy	1	01344100020
11	Tube-exit Plate	1	01344100018
3	Temperature Sensor 15KS-XH-2P-K3	1	3900004510
4	Temperature Sensor 20KT-EH-2P-K3	1	390000592
NS	Water Tray Sub-Assy	1	01284100011
22	Water Tray	1	26904100035
1	Remote Controller YBE1FB5F	1	305001060180
NS	Drain Hose Sub-Assy	1	007008000001
2	Drain Hose	1	05232046

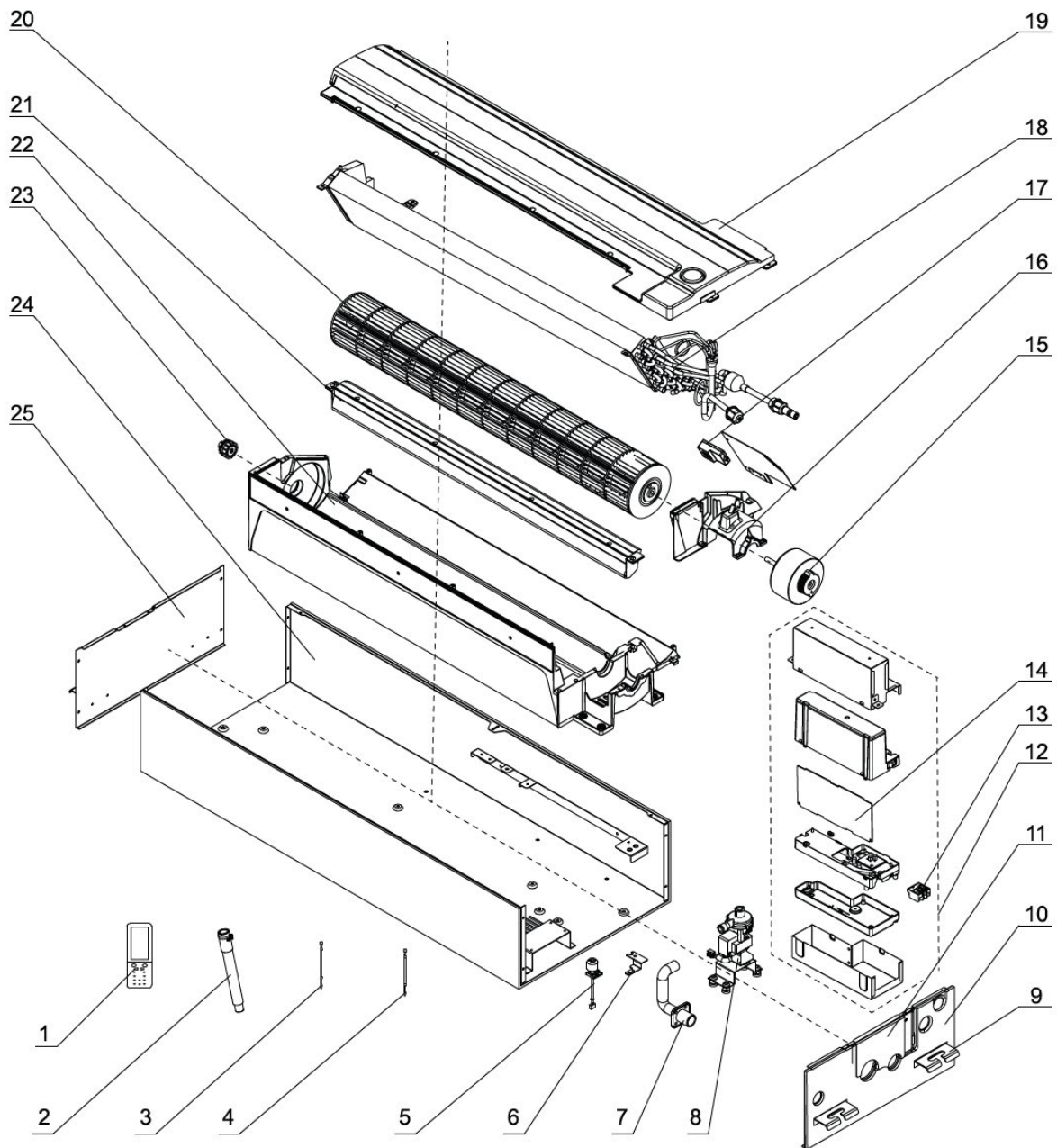
EXPLODED VIEW & PARTS LIST



OWC18HP230V1R32AH

No.	Part Description	Qty	Part No.
24	Chassis Assy	1	01194100007
15	Brushless DC Motor FN30E-ZL	1	1501214301
20	Cross Flow Fan	1	10454100001
16	Motor Press Plate	1	01344100019
NS	Helicoid Tongue sub-assy	1	02224100007
21	Helicoid Tongue	1	26904100042
25	Left Side Plate Sub-Assy	1	01314100022
10	Right Side Plate	1	0131410001801
9	Hook	4	02112466
8	Water Pump PSB-0.024/1.2-A	1	81200706001601
NS	Rubber Base	4	76512703
NS	Rubber Sheet	3	760019060014
NS	Gasket 6	2	70410252
7	Pump Drainpipe	1	26905288
5	Liquid Level Switch	1	430024000005
18	Evaporator Assy	1	11001060877
NS	Damping Block	1	76012451
17	Gas Sensor R32	1	340024060016
12	Electric Box Assy	1	100002082866
14	Main Board Z4M551XJ	1	300002064305
NS	Jumper cap 2.5mm (blue)	1	4202021905
13	Terminal Board	1	422000060015
NS	Tube Exit Plate Assy	1	01344100020
11	Tube-exit Plate	1	01344100018
3	Temperature Sensor 15KS-XH-2P-K3	1	3900004510
4	Temperature Sensor 20KT-EH-2P-K3	1	390000592
NS	Water Tray Sub-Assy	1	01284100011
22	Water Tray	1	26904100035
1	Remote Controller YBE1FB5F	1	305001060180
NS	Drain Hose Sub-Assy	1	007008000001
2	Drain Hose	1	05232046

EXPLODED VIEW & PARTS LIST



OWC20HP230V1R32AH

No.	Part Description	Qty	Part No.
24	Chassis Assy	1	01194100007
15	Brushless DC Motor FN30E-ZL	1	1501214301
20	Cross Flow Fan	1	10454100001
16	Motor Press Plate	1	01344100019
NS	Helicoid Tongue sub-assy	1	02224100007
21	Helicoid Tongue	1	26904100042
25	Left Side Plate Sub-Assy	1	01314100022
10	Right Side Plate	1	0131410001801
9	Hook	4	02112466
8	Water Pump PSB-0.024/1.2-A	1	81200706001601
NS	Rubber Base	4	76512703
NS	Rubber Sheet	3	760019060014
NS	Gasket 6	2	70410252
7	Pump Drainpipe	1	26905288
5	Liquid Level Switch	1	430024000005
18	Evaporator Assy	1	011001060877
NS	Damping Block	1	76012451
17	Gas Sensor R32	1	340024060016
12	Electric Box Assy	1	100002082857
14	Main Board Z4M551XJ	1	300002064305
NS	Jumper cap 2.5mm (blue)	1	4202021905
13	Terminal Board	1	422000060015
NS	Tube Exit Plate Assy	1	01344100020
11	Tube-exit Plate	1	01344100018
3	Temperature Sensor 15KS-XH-2P-K3	1	3900004510
4	Temperature Sensor 20KT-EH-2P-K3	1	390000592
NS	Water Tray Sub-Assy	1	01284100011
22	Water Tray	1	26904100035
1	Remote Controller YBE1FB5F	1	305001060180
NS	Drain Hose Sub-Assy	1	007008000001
2	Drain Hose	1	05232046