



PTAC Direct Sales, Inc.
185 S. Kimball Ave., Suite 130
Southlake, TX 76092
877.454.7822 (T)
877.647.6408 (F)





www.PTACdirect.com



SUBMITTAL DATA

ENV09HP230V1R32AH / ENV09HP230V1R32AO
 9000 BTU/H Wall Mounted Heat Pump System

Job Name	Location	Date
Purchaser	Engineer	
Submitted to	For	
Unit Designation	Schedule No.	

			
YBE1FBF	ENV09HP230V1R32AH	ENV09HP230V1R32AO	XE71 (Optional)

GENERAL FEATURES

- AHRI Certificate: [214779342](#)
- High Efficiency DC Inverter Technology
- Compact and Quiet Design
- Auto-Clean Function on Indoor Unit
- Swing Louver Control
- Self-diagnosis
- New R32 Refrigerant
- Wi-Fi Included (Factory Installed)
- Wireless Remote with LCD Display
- Wired Controller Options
- Low Ambient Cooling down to -20°F (Range -20°F to 122°F)
- Low Ambient Heating down to -22°F (Range -22°F to 86°F)
- Coil (Indoor and Outdoor) Copper Tube / Aluminum Fin
- Blue Colored Fin - 500 Hrs Salt Spray Tested
- Fresh Air Kit - TL204000100 is offered as an accessory, needs to be ordered separately.

SPECIFICATIONS, FEATURES & FUNCTION SUMMARY

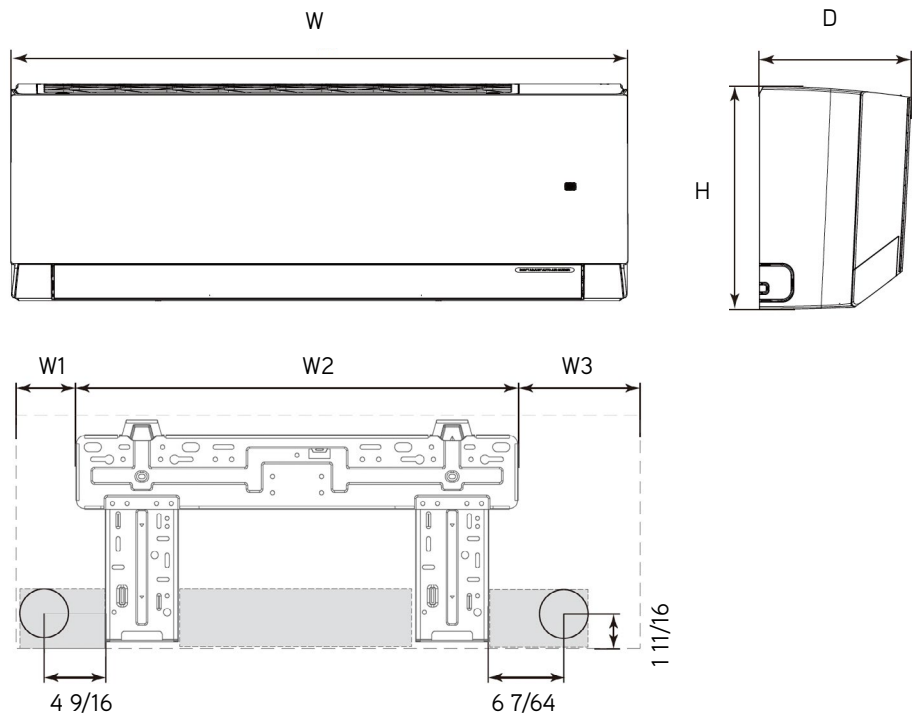
SYSTEM TYPE			HEAT PUMP		FEATURES & FUNCTIONS SUMMARY	
Outdoor Model			ENV09HP230V1R32AO		Inverter Type	
Indoor Model			ENV09HP230V1R32AH		G20	
SYSTEM PERFORMANCE						
Cooling Capacity	Min - Max	Btu/h	2,730 - 12,966			
	Rated Capacity @95°F	Btu/h	9,100			
Heating Capacity	Min - Max	Btu/h	2,388 - 15,013			
	Rated Capacity @47°F	Btu/h	10,500			
	Rated Capacity @17°F	Btu/h	8,800			
	Rated Capacity @5°F	Btu/h	9,300			
SEER2			26.0			
EER2			15.0			
HSPF2			10.4			
COP @5°F			1.96			
Cooling Temperature Range		°F	-20 - 122			
Heating Temperature Range		°F	-22 - 86			
Refrigerant Type			R32			
INDOOR UNIT			ENV09HP230V1R32AH			
Air flow (Min - Max)		CFM	129 - 353			
Sound Pressure Level (Min - Max)		dB(A)	20 - 41			
Dehumidification		pt/hr	1.69			
External Dimensions (W x H x D)		in	32 61/64 x 11 17/32 x 7 7/8			
Package Dimension (W x H x D)		in	35 9/32 x 14 11/16 x 10 45/64			
Net Weight		lbs	20.9			
Gross Weight		lbs	25.4			
OUTDOOR UNIT			ENV09HP230V1R32AO			
Compressor Type			GREE G20 / SINGLE CYLINDER / 1 - STAGE INVERTER			
Sound Pressure Level		dB(A)	52			
External Dimensions (W x H x D)		in	31 37/64 x 21 27/32 x 13 25/32			
Package Dimension (W x H x D)		in	34 21/64 x 24 13/32 x 15 43/64			
Net Weight		lbs	70.6			
Gross Weight		lbs	76.1			
REFRIGERANT PIPING						
Refrigerant Charge - R32		oz	30			
Additional Charge		oz/ft	0.2			
Line Set Size (Liquid - Gas) - Flared Connections		in	1/4 - 3/8			
Pre-Charge Length		ft	25			
Pipe Length (Min - Max)		ft	10 - 66			
Max. Pipe Elevation		ft	40			
ELECTRICAL						
Power Supply			208-230V / 1Ph / 60Hz (Powered by the Outdoor Unit)			
Voltage Range (Min - Max)		VAC	187 - 253			
Rated Current - Cooling		A	4.73			
Rated Current - Heating		A	6			
MOCP		A	15			
MCA		A	10			
Main Power Wire Size		AWG	Per Local Code			
Interconnecting Wire Size		AWG	14 / 4			
Indoor Fan Type					Crossflow	
Ultra Low Frequency Torque Control					Yes	
Power Factor Correction					Yes	
Basepan With Electric Heater					Yes	
Indoor & Outdoor Fin Coating (Blue Fin)					Yes	
Intelligent Defrosting					Yes	
Intelligent Preheating					Yes	
Low Voltage Startup					Yes	
Memory/Power Failure Recovery					Yes	
Self Diagnosis					Yes	
Wired Controller Interface					Yes	
WiFi Included					Yes	
NEW! Easy Service Access					Yes	
Multi Fan Speeds					7 Speeds	
Indoor Unit Display					Yes	
Auxiliary Electrical Heater					No	
Ventilation (Outdoor Air)					Yes	
REMOTE CONTROLLER FUNCTIONS						
Humidity Control					Yes	
Two-way Ventilation					Yes	
Auto Clean					Yes	
Auto Mode					Yes	
Auto Fan					Yes	
Auto Swing (Horizontal Auto Swing)					Yes	
Auto Swing - 180° (Vertical Auto Swing)					Yes	
Clock					Yes	
Dry Mode					Yes	
Dry Anti-Mildew (X-Fan) Mode					Yes	
Energy Saving Mode					Yes	
Dirty Filter Alert					Yes	
Fan Speed Control (7 Speeds)					Yes	
I Feel Function					Yes	
Child Lock					Yes	
Quiet Mode					Yes	
Room Temperature Display					Yes	
Sleep Mode					Yes	
Turbo Mode					Yes	
3 Sleep Mode Options					Yes	
Timer Mode					Yes	
Turbo Mode					Yes	
Display On/Off Control					Yes	
Freeze Guard Mode					Yes	
Power Failure Mode					Yes	

DIMENSIONS

INDOOR UNIT

Unit: inch

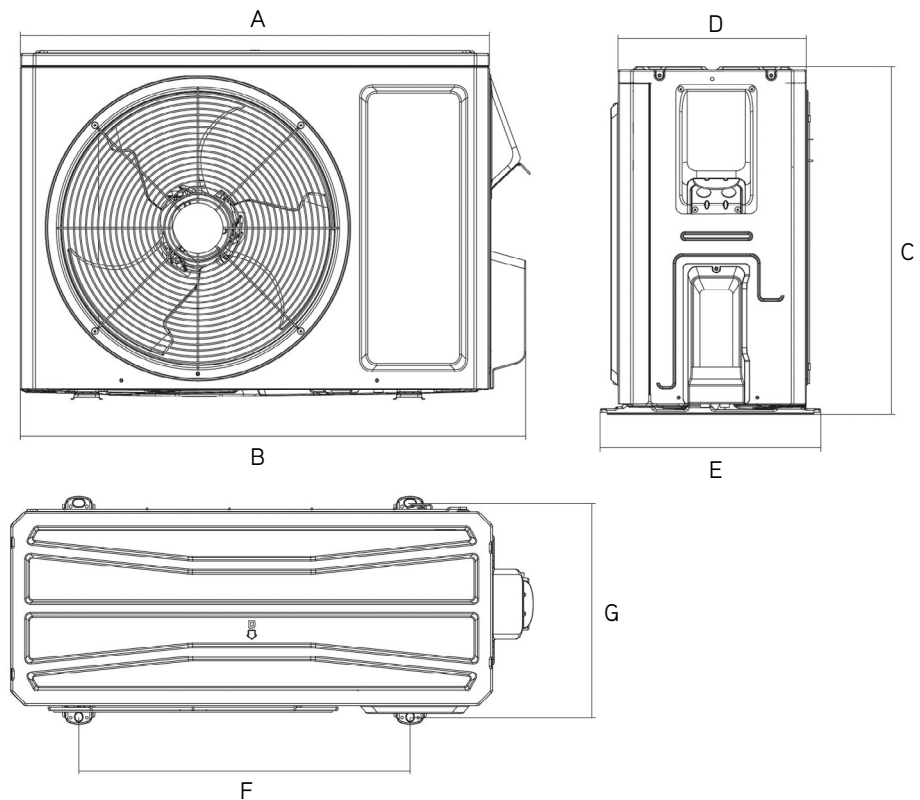
ENV09HP230V1R32AH	
DIMENSIONS	
W	32 61/64
H	11 17/32
D	7 7/8
W1	4 11/16
W2	21 11/32
W3	6 59/64



OUTDOOR UNIT

Unit: inch

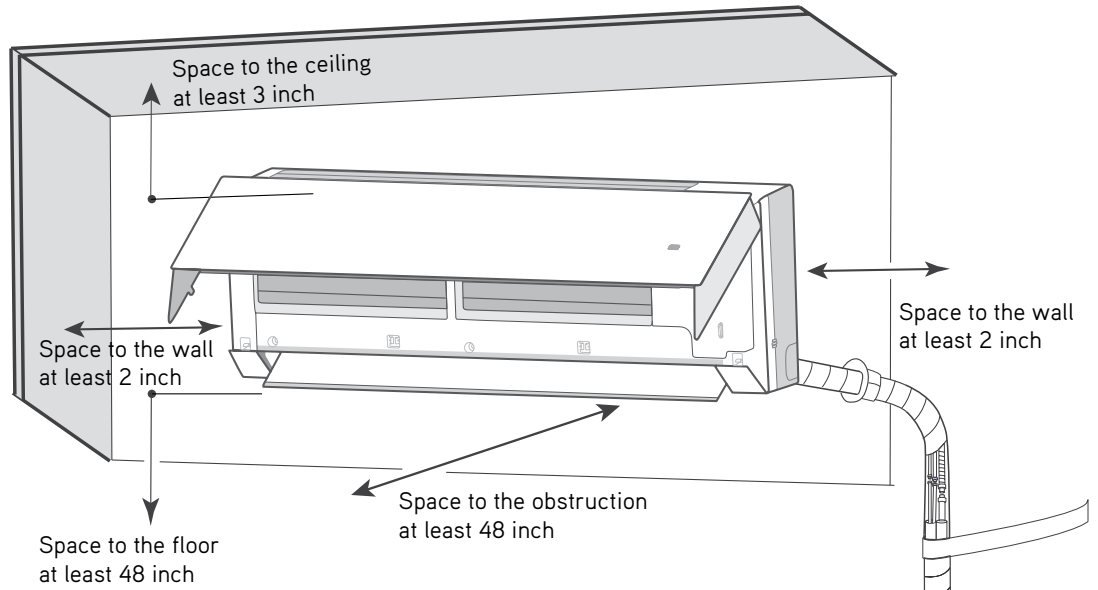
ENV09HP230V1R32AO	
DIMENSIONS	
A	29 21/64
B	31 37/64
C	21 27/32
D	11 13/16
E	13 25/32
F	20 5/32
G	13 5/64



CLEARANCES

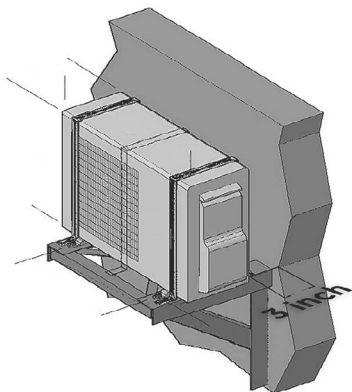
INDOOR UNIT

Minimum clearance

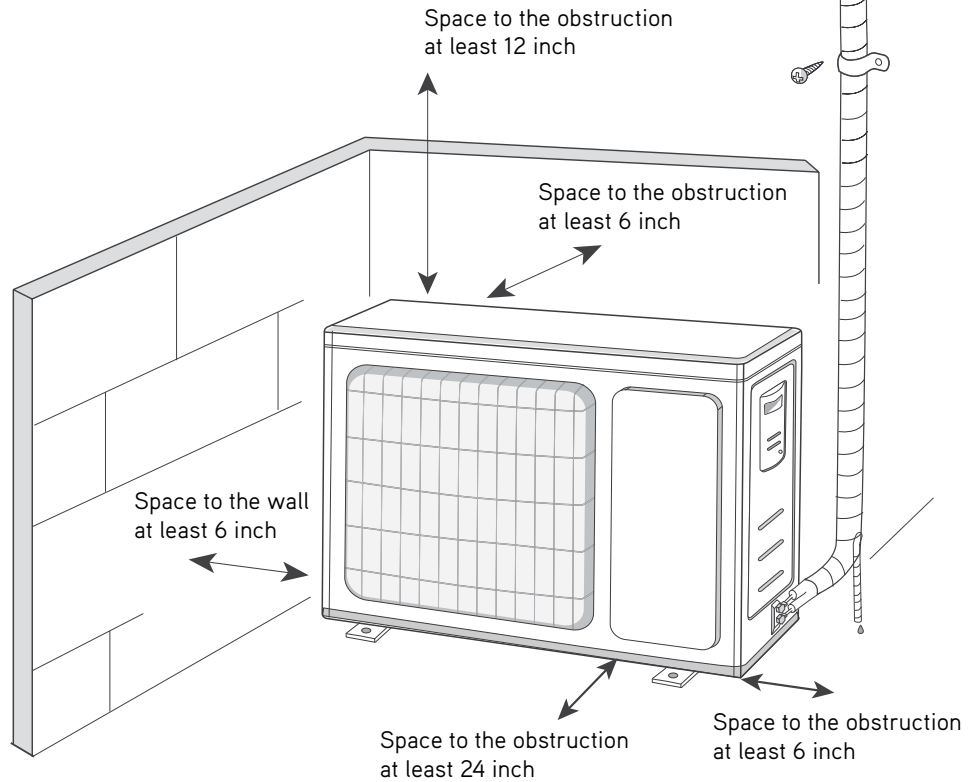


OUTDOOR UNIT

Minimum clearance



NOTE:
If bottom of the unit is free of airflow obstructions similar to the mounting bracket figure, the clearance to the wall on the back can be reduced to 3 inches.



Specifications are subject to change without notice. Manufacturer reserves the right to discontinue or modify specifications or designs without notice or without incurring obligations. All Rights reserved.