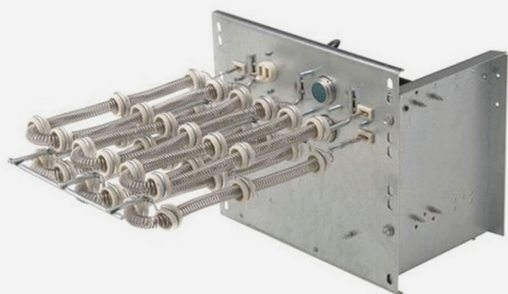




PTAC DIRECT SALES, INC.
185 S. KIMBALL AVE., SUITE 130
SOUTHLAKE, TX 76092
877.454.7822
www.PTACdirect.com



INSTALLATION MANUAL

Electric Heater Kit

MODELS:

FLEXA2LHTR06
FLEXA2LHTR09
FLEXA2LHTR12

Thank you for choosing our product.
Please read this Installation Manual carefully before operation
and retain it for future reference.

If you lose this Manual, please contact your local distributor
visit www.greecomcomfort.com/resources now to download an
file the electronic version.

I. Precautions:

Read these operation instructions carefully to become familiar with and properly use this product before it is installed and used. The following instructions are specifically provided to achieve the intended operation effect regarding proper installation and use of our product:

- (1) This product is not suitable for anyone with deteriorated physical performance, sensory ability or mental capacity, or those with little experience and knowledge (including children), unless they are supervised or instructed by their guardians who are responsible for their safety regarding how to use it. Children should be properly supervised to ensure that they will never play with this equipment.
- (2) Select a model properly based on the actual operating environment; otherwise, the accessibility in its use may be affected.
- (3) This product cannot be installed in any environment with corrosive, flammable or explosive substances, or any place with special requirements (such as kitchen). Otherwise, the normal operation of the unit will be affected or the service life will be reduced, or even a fire hazard or serious injury will occur. For those special places above, use special air conditioners with the corrosion or explosion protection function.
- (4) If this product requires installation, removal or maintenance, contact a dealer designated by us or our local service center for professional support. The user shall not carry out any unit removal or maintenance without permission; otherwise, this may result in related damages for which we will assume no liability whatsoever.
- (5) All the illustrations and information contained in these operation instructions are for reference only. We will make our product better through continuous improvement and innovation. This product is subject to adjustment. Please refer to the actual product.

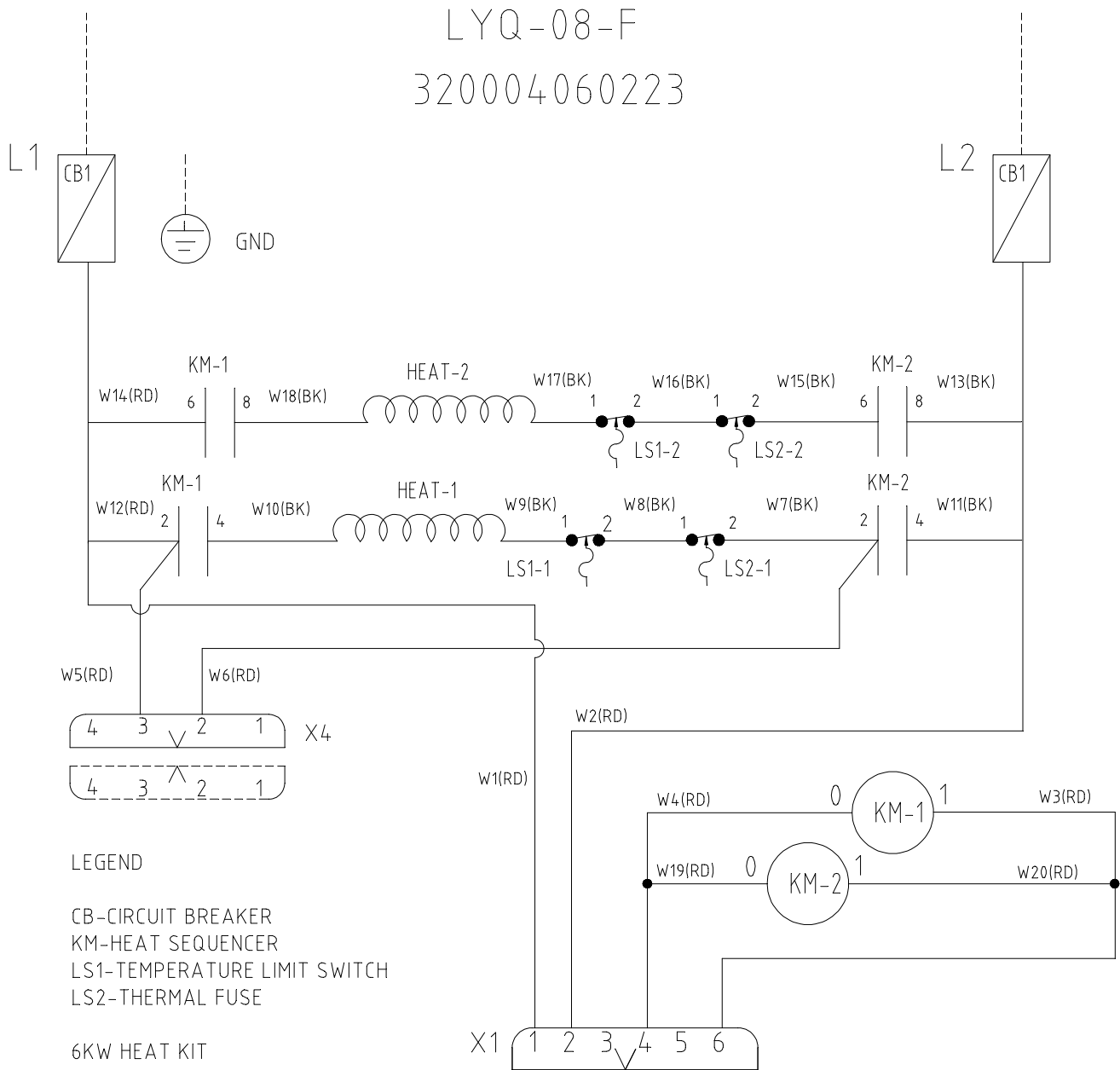
Exceptions

The manufacturer assumes no liability whatsoever for any personal injury or property damage arising from any of the following causes:

- (1) Any damage to this product due to improper use or misuse;
- (2) Any change to, replacement or maintenance of, or use of this product with another equipment, which goes against the manufacturer's operation instructions;
- (3) It is verified that a product defect directly arises out of corrosive gas;
- (4) It is verified that a defect is caused by improper operation during transportation of this product;
- (5) Failure to follow the operation instructions or related regulations while operating, repairing, or maintaining the unit;
- (6) It is verified that a dispute arises out of the quality specification or performance of parts produced by other manufacturers; or
- (7) Any personal injury or property damage caused by natural disasters or force majeure.

S/N.	PART #	Model	Code	Specification	Compatible AHU(Ton)
1	FLEXA2LHTR06	LYQ-08-F	320004060223	240 V /6 KW	2T/3T/4T/5T
2	FLEXA2LHTR09	LYQ-08-G	320004060224	240 V / 9 KW	3T/4T/5T
3	FLEXA2LHTR12	LYQ-08-H	320004060225	240 V / 12 KW	3T/4T/5T

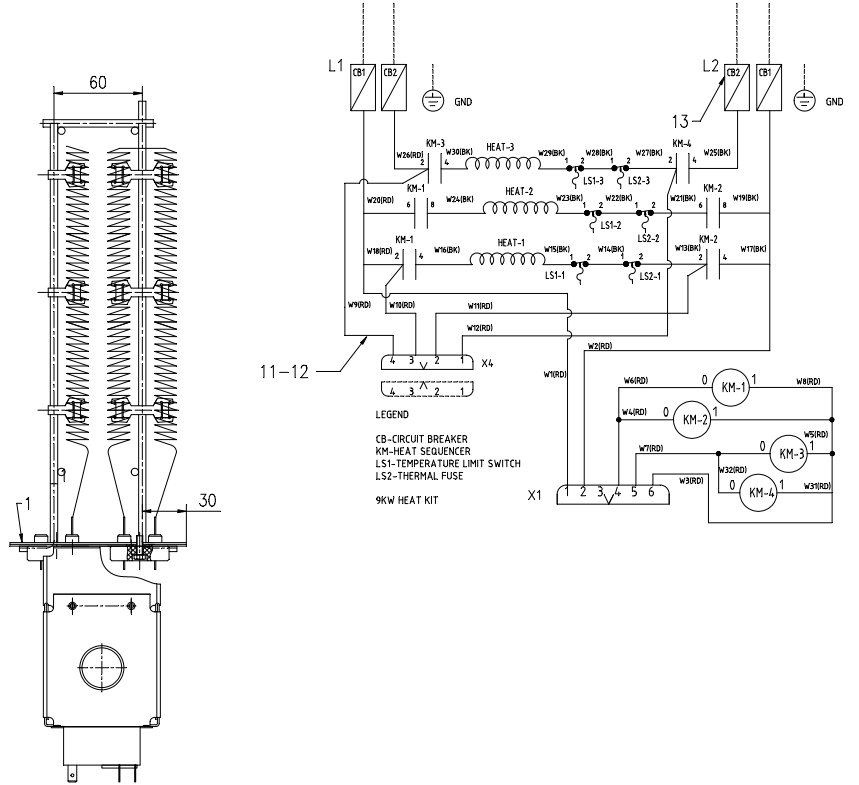
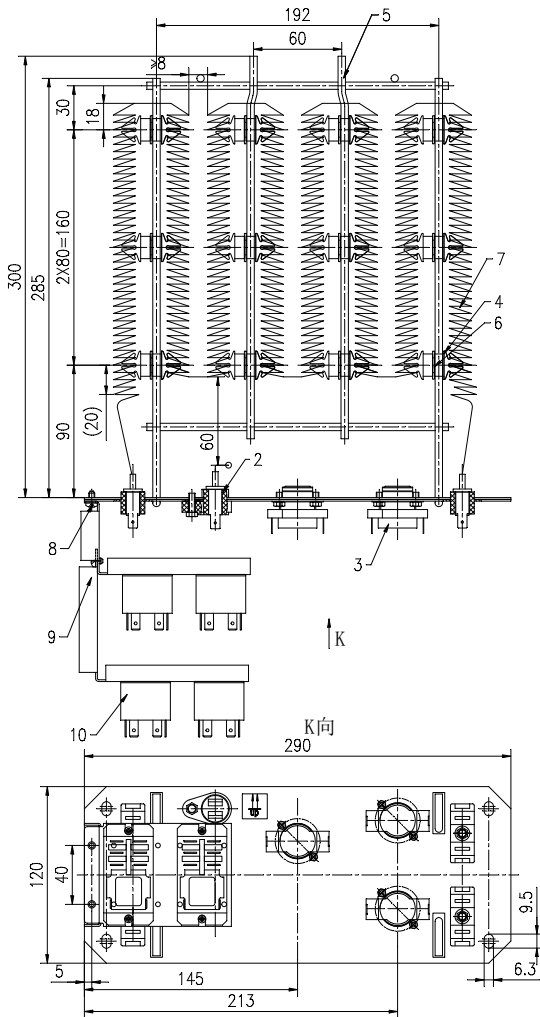
(c) Wiring diagram:



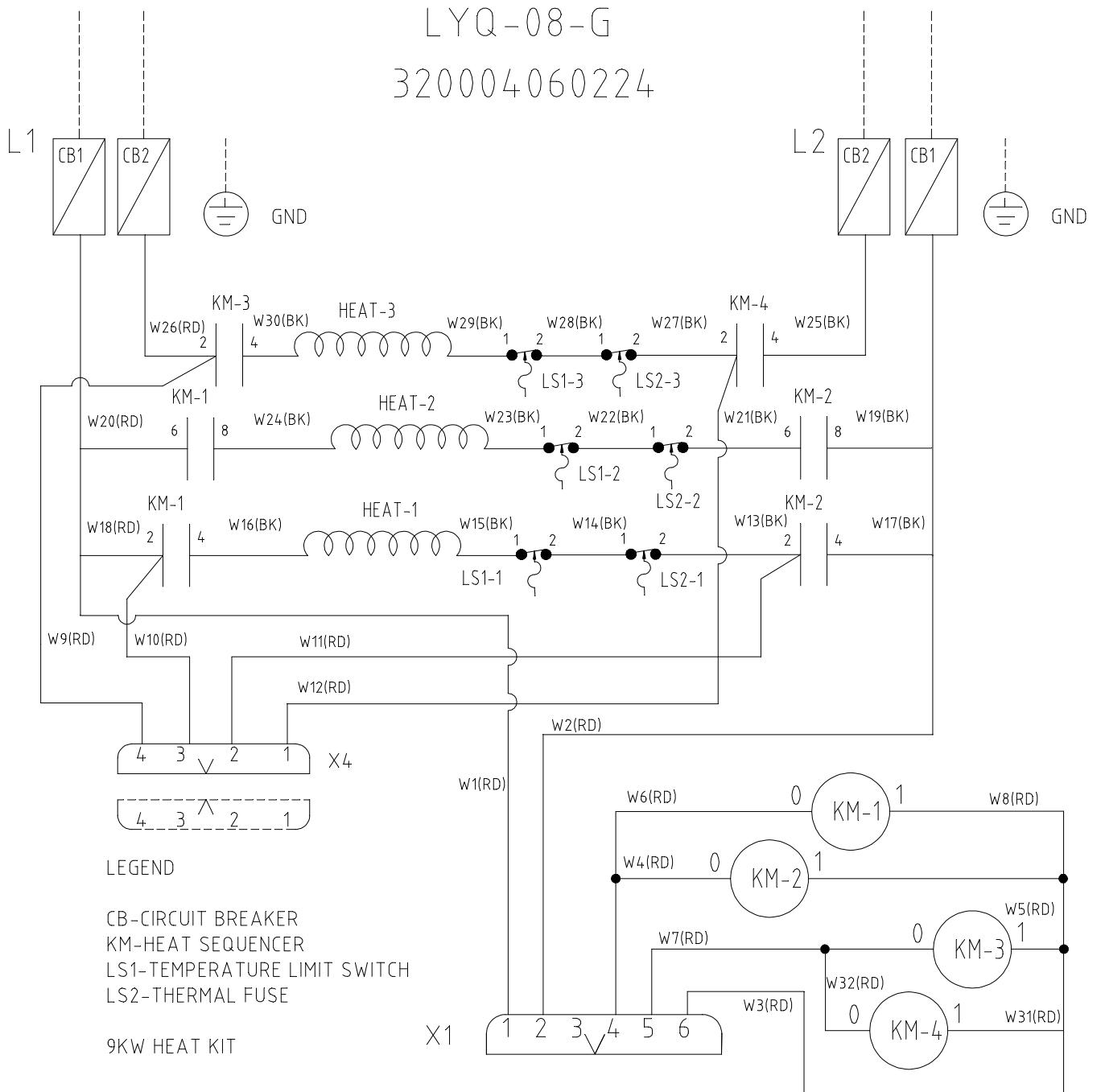
② Model: LYQ-08-G Material Code: 320004060224

(a) Specification: 240 V / 9 KW

(b) Overall dimension drawing



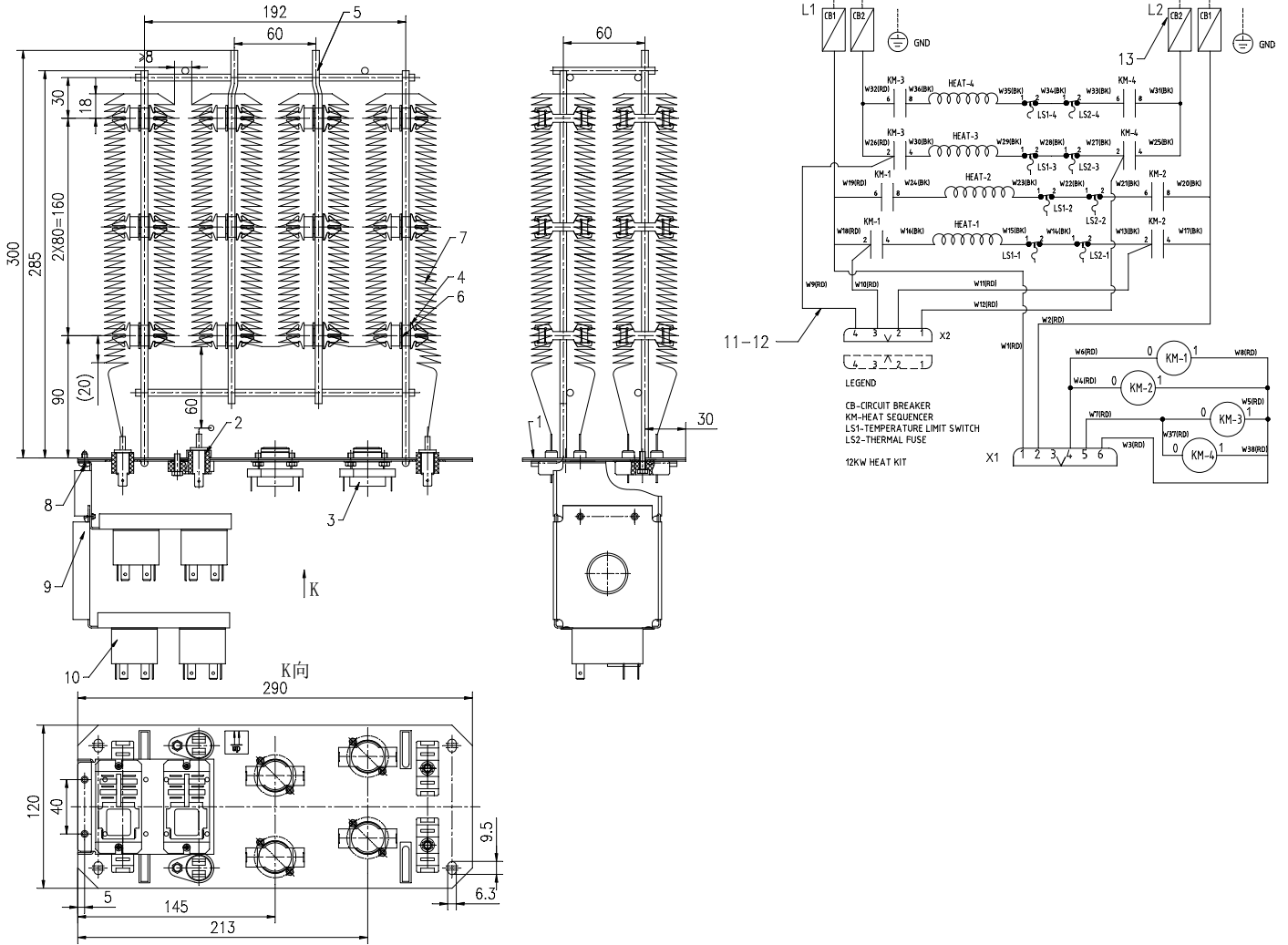
(c) Wiring diagram:



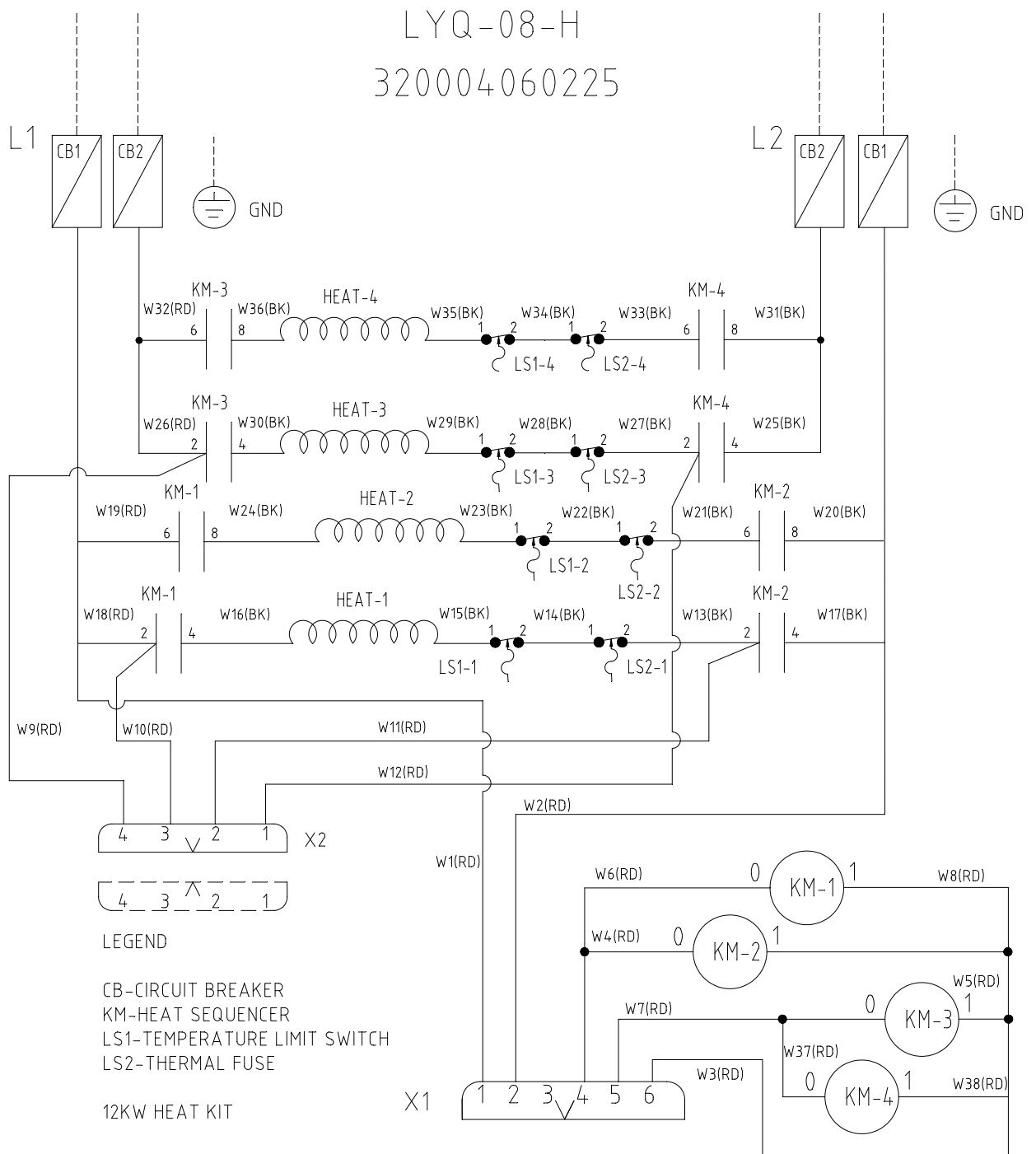
③ Model: LYQ-08-H Material Code: 320004060225

(a) Specification: 240 V / 12 KW

(b) Overall dimension drawing



(c) Wiring diagram:



④ Major Materials

S/N.	Description	Material	Specification	Remarks
1	Mounting plate	Galvanized steel plate	t=1.2	
2	Fuse assembly		250 V, 25 A, 98 °C	
3	Temperature controller		250 V, 25 A, 60/40	
4	Ceramic module	95% alumina ceramics		
5	Frame strip	SUS304	Φ5	
6	Clamp	SUS304		
7	Heating element	Cr20Ni80		
8	Screw	Trivalent chromium electroplating		
9	Mounting plate of relay	Galvanized steel plate	t=1.2	
10	Relay		HF92F-024A6-2A21F/ JT92F-024A6-2A21F	
11	Wire		UL1015	
12	Wire		UL1332	
13	Circuit breaker		30 A / 45 A / 60 A	

III. Technical Requirements:

1. Parts should be firmly fixed without looseness.

Spot welding should be used for the mounting plate, frame strip, and clamp.

2. Dimensions without individual tolerance indications are subject to Grade C defined in GB/T1804.
3. For electric strength, no breakdown or flashover should occur when dielectric strength is AC1800V/S at 5 mA.
4. Cold insulation resistance $\geq 100 \text{ M}\Omega$
5. Leakage current at the operating voltage $\leq 0.5 \text{ mA}$.
6. All materials should comply with corresponding requirements in the *Toxic and Hazardous Substances Control for Electric Heaters* (DF-3-YF-002).
7. Firm assembly should be ensured between parts without warp or deformation as a whole.
8. No Chinese text is allowed for an entire part.
9. Standards QJ/GD12.10.008 and Q/321191 AAM008 shall be followed.

Installation Instructions

Precautions of the Electric Heater



Attention for Installer

Be sure to be fully familiar with this *Installation Manual* before you install this product. Follow all the safety warnings. Keep in mind during installation or maintenance that you are responsible for installing this product and instructing customers regarding how to use it, in a safe manner.

RISQUE DE CHOCS ÉLECTRIQUES. PEUT CAUSER DES BLESSURES ET MÊME ENTRAÎNER LA MORT.
COUPER LES SOURCES D'ALIMENTATION À DISTANCE AVANT LE DÉPANNAGE.

RISK OF ELECTRIC SHOCK CAN CAUSE INJURY OR DEATH: DISCONNECT ALL REMOTE ELECTRIC
POWER SUPPLIES BEFORE SERVICING.

Precautions

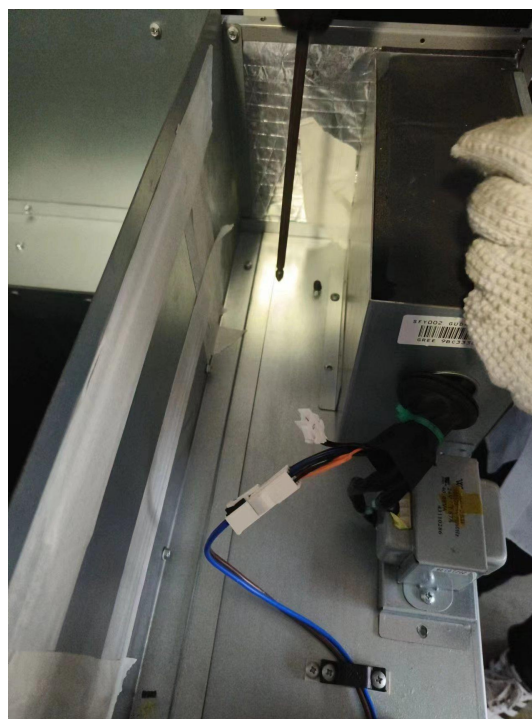
- Be sure to shut off all power supplies before you try to install this electric heater. There might be several circuit breakers.
- A safety protection device must be provided at the power inlet connecting to the cabinet.
- Only copper conductors can be used.
- Installation must comply with the national electrical specification and other applicable norms.

If this equipment is to be installed in a closed area (such as garage or utility room) where there is any device that will generate carbon monoxide, ensure that such area is well-ventilated.

1. Remove the front panel and the upper access panel from the air conditional panel.



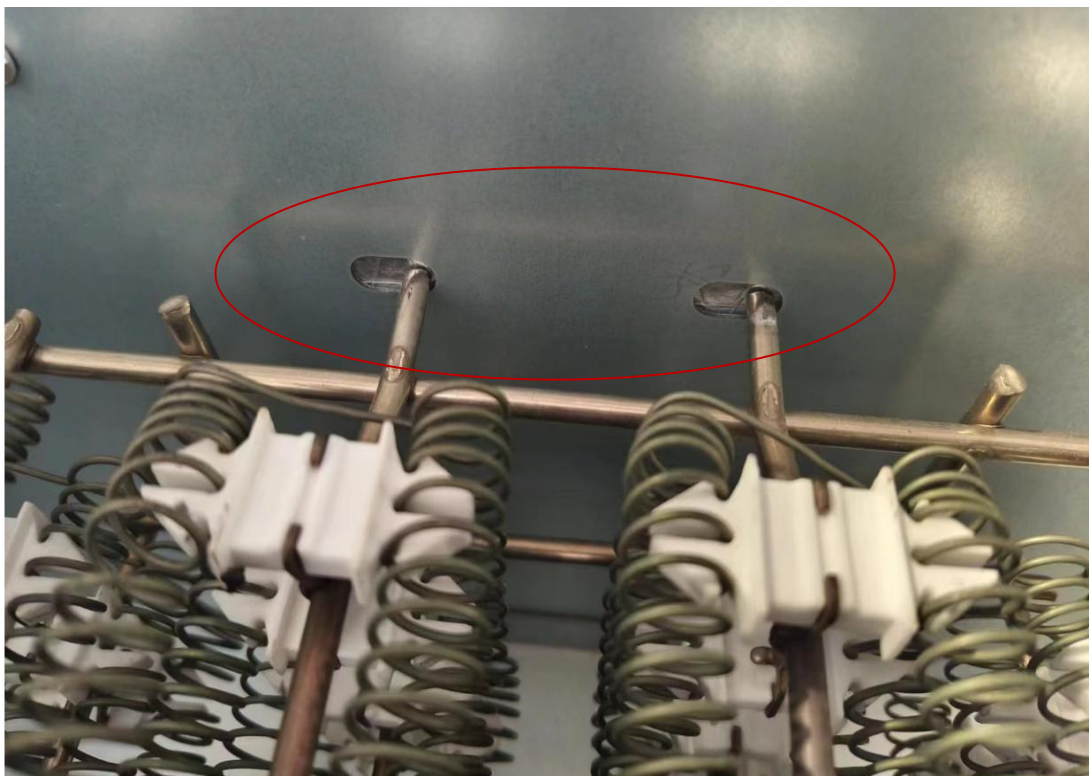
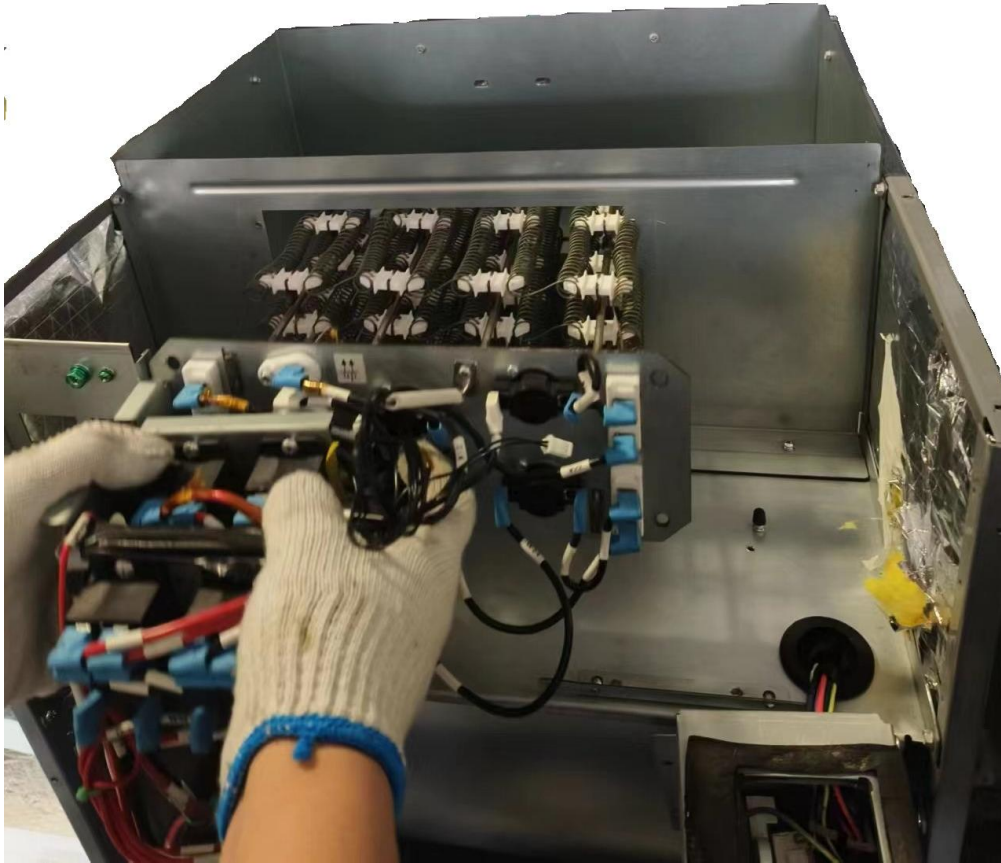
2. Remove the electrical cabinet.



3. Remove the metal plate at the mounting holes of the electric heater.



4. Install the electric heater in the position of the metal plate removed at Step 3. (Note: There are two holes underneath. They are used to fix the bracket of the electric heater.)



5. Install the circuit breaker(s). (Note: During installation, use a tool to lift the clip first; the lower end of the circuit breaker should engage with the main sheet metal; then lay down the clip and confirm that it is fastened without looseness.)



6. Connect the terminal of the electric heater.



S/N.	PART #	Model	Code	Specification	Compatible AHU(Ton)
1	FLEXA2LHTR06	LYQ-08-F	320004060223	240 V / 6 KW	2T/3T/4T/5T
2	FLEXA2LHTR09	LYQ-08-G	320004060224	240 V / 9 KW	3T/4T/5T
3	FLEXA2LHTR12	LYQ-08-H	320004060225	240 V / 12 KW	3T/4T/5T

PTAC DIRECT SALES, INC.
185 S. KIMBALL AVE., SUITE 130
SOUTHLAKE, TX 76092
877.454.7822
www.PTACdirect.com



U.S. CONTACT INFORMATION TRADEWINDS, LLC

E-mail: info@twclimate.com

Contractor Support: 888-850-7928 | Mon-Fri 8 AM - 5 PM EDT

G R E E C O M F O R T . C O M